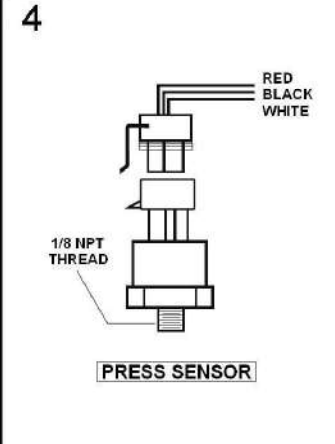
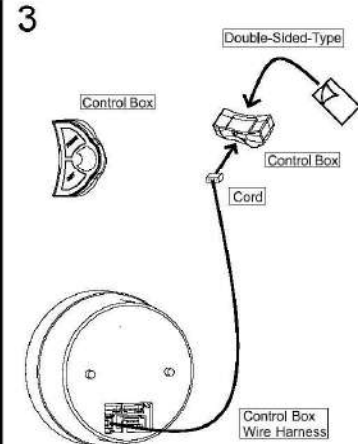
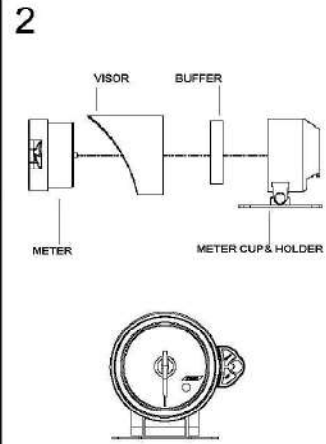
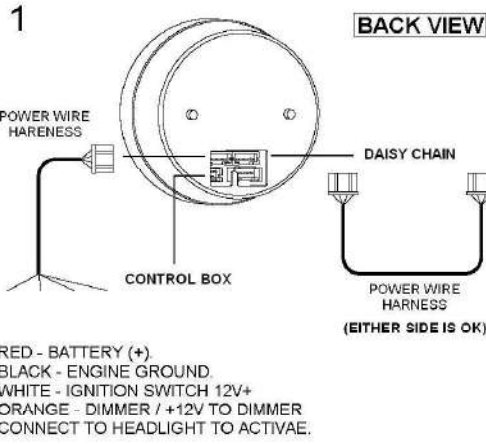


ELECTRICAL GAUGES W/WARNING & PEAK

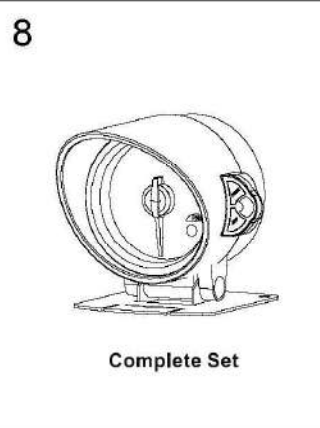
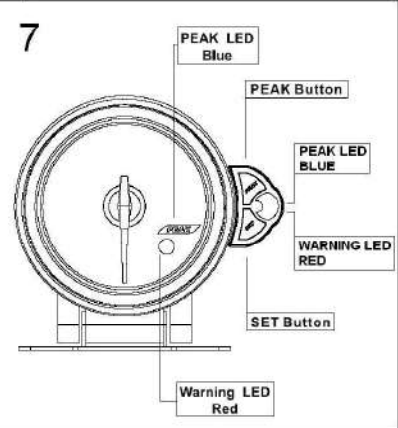
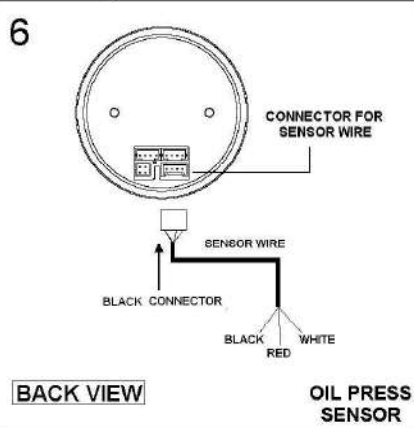
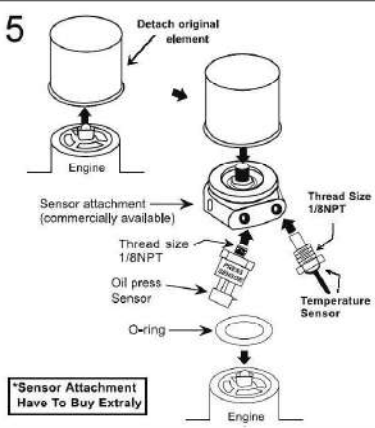
HALO PREMIUM SERIES WHITE / BLUE / AMBER LED DISPLAY

Oil Pressure Gauge

OPENING CEREMONY



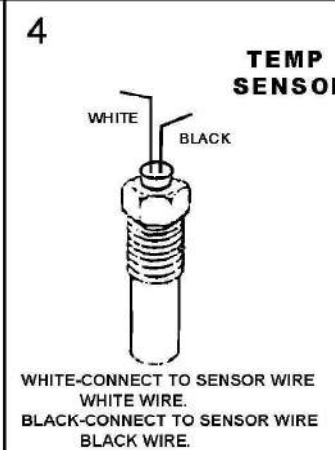
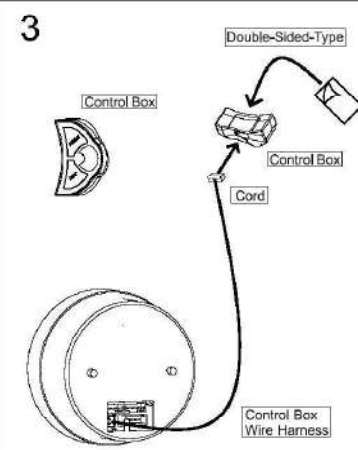
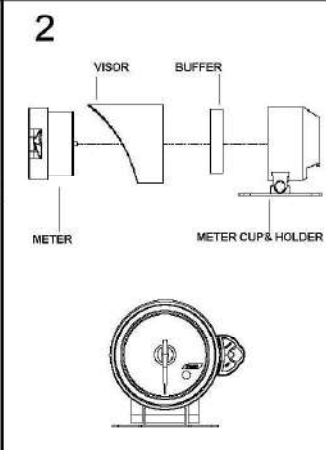
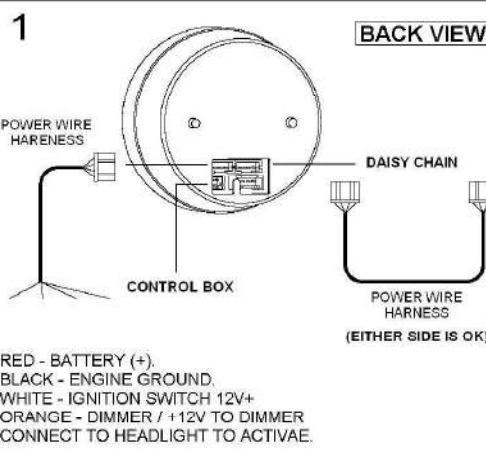
RED - BATTERY (+)
BLACK - ENGINE GROUND
WHITE - IGNITION SWITCH 12V+
ORANGE - DIMMER / +12V TO DIMMER
CONNECT TO HEADLIGHT TO ACTIVATE.



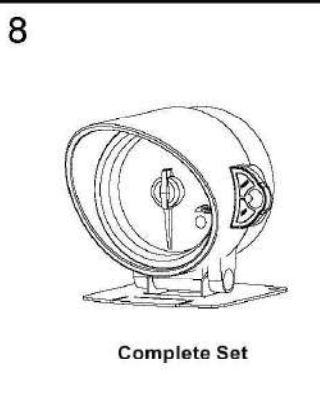
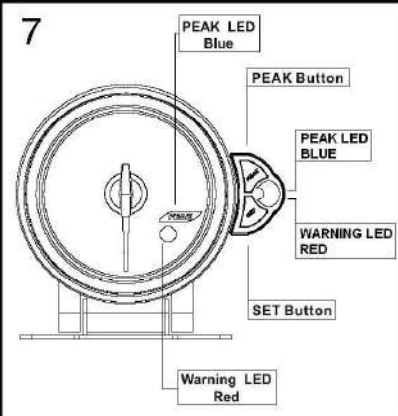
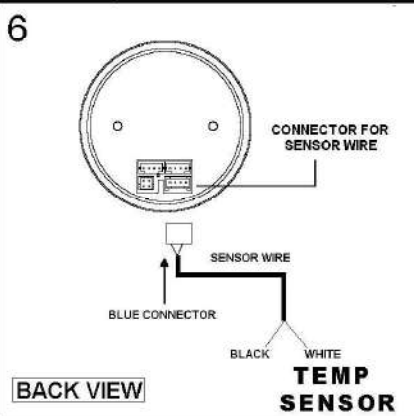
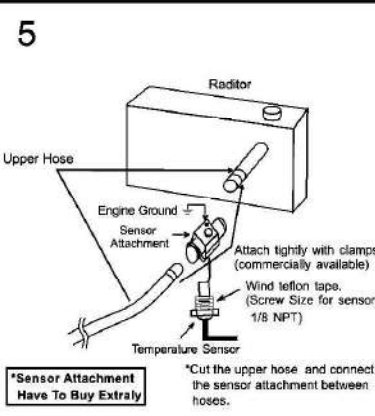
*Sensor Attachment Have To Buy Extraly

Oil / Water Temperature Gauge

OPENING CEREMONY



RED - BATTERY (+)
BLACK - ENGINE GROUND
WHITE - IGNITION SWITCH 12V+
ORANGE - DIMMER / +12V TO DIMMER
CONNECT TO HEADLIGHT TO ACTIVATE.



*Sensor Attachment Have To Buy Extraly

*Cut the upper hose and connect the sensor attachment between hoses.

CONTROL BOX OPERATION INSTRUCTIONS

There are five setting modes in this gauge, **Backlight color Mode**, **Peak Mode**, **Warning Mode**, **Backlight Brightness Mode**, and **Sound Mode**. In any time when the gauge is in the normal mode, the Backlight color Mode can be operated by pressing <SET>. Press <PEAK> to enter into the Peak Mode.

1. Backlight color Mode:

- 1) There are three different color LED backlight display in one gauge: White, Blue and Amber Red.
- 2) Press <SET> to select a backlight color in sequence.

2. Peak Mode:

- 1) Press <PEAK> to enter into the Peak Mode.
- 2) After 5-second of no button activity or press <PEAK>, the gauge will return to the normal mode.
- 3) When the peak value is displayed, press <SET> to clear the previous peak value.

3. Warning Mode:

- 1) Hold <SET> for 3-second to enter to the warning mode.
- 2) When the needle light is flashing, press <PEAK> to move the needle clockwise while press <SET> to move the needle counter-clockwise.
- 3) After 5-second of no button activity, the gauge will return to the normal mode.

4. Backlight Brightness Mode

There are six-stage for each daytime and nighttime backlight brightness available for users to select the preferred brightness.

- 1) Hold <PEAK> for 3-second to enter to the backlight brightness mode. When the outer red ring light is flashing, the daytime brightness can be selected.
- 2) Press either <PEAK> or <SET> to select the backlight brightness.
- 3) In order to set the nighttime backlight brightness, the orange wire of the power wire harness should be connected to Dimmer/ 12V switched source (+).
- 4) When Dimmer/ 12V switched source (+) is on, the nighttime brightness can be selected.
- 5) The gauge will return to the normal mode after 5-second of no button activity.

5. Sound Mode:

- 1) Hold <PEAK> and <SET> together for 3-second to enter to the sound mode.
- 2) When the needle and outer angel ring lights are flashing simultaneously, press <PEAK> to switch the warning sound, while press <SET> to switch the key sound.
- 3) When the sound is enabled, you will hear two beep, versa vise, when it is disabled, you will hear one beep sound.
- 4) The gauge will return to the normal mode after 5-second of no button activity.