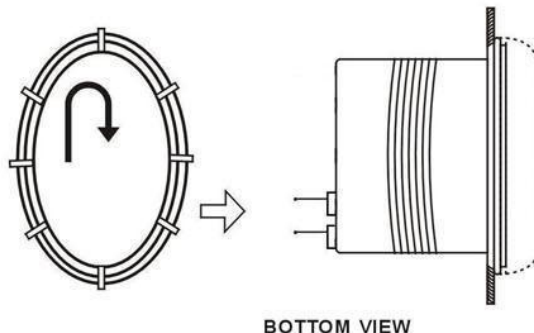


INSTALLATION INSTRUCTIONS (2-1/16") ELECTRICAL GAUGES TRUCK / YACHT GAUGE SERIES

Mounting

These gauges can be mounted in-dash or in Auto Gauge panels (2-5/8" dia. hole for 2-5/8" gauges). Fasten with brackets supplied as shown. (Hookup wire is required.) To assure proper functioning of this instrument, please read instructions thoroughly before installing.



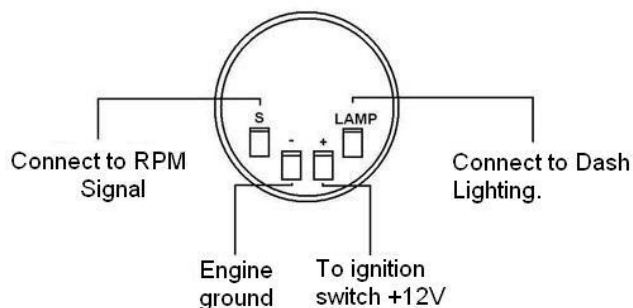
Tachometer

1 BEFORE YOU START

1. Read instructions completely before installation.
2. Install tachometer only when engine is cool and ignition is off.
3. Make sure all necessary tools, materials, and parts are on hand.
4. Refer to your vehicle's service manual for the location of tachometer sensor port, vacuum system, and/or charging system.
5. Disconnect negative (-) battery cable before installing tachometer.
6. Make sure mounting location does not impair visibility of interfere with driving. Also check behind the mounting location for any wiring or components before drilling.
7. When connecting electrical wire, install crimp terminals and make wire splices as needed. ALWAYS insulate wire splices with electrical tape to prevent shorting.
8. Follow all necessary safety procedures for protection.

NOTE: It may be necessary to reprogram your radio, clock, etc. after reconnecting the battery.

BACK VIEW



2 ENGINE CYLINDER SELECTION

The tachometer is designed for use with 2,3,4,5,6,8 -cylinder engines only.

The cylinder select switch on the rear of the tachometer must be set prior to installation.

Use your finger or a small screwdriver to slide the cylinder select switch to the appropriate position; 2,3,4,5,6,8

