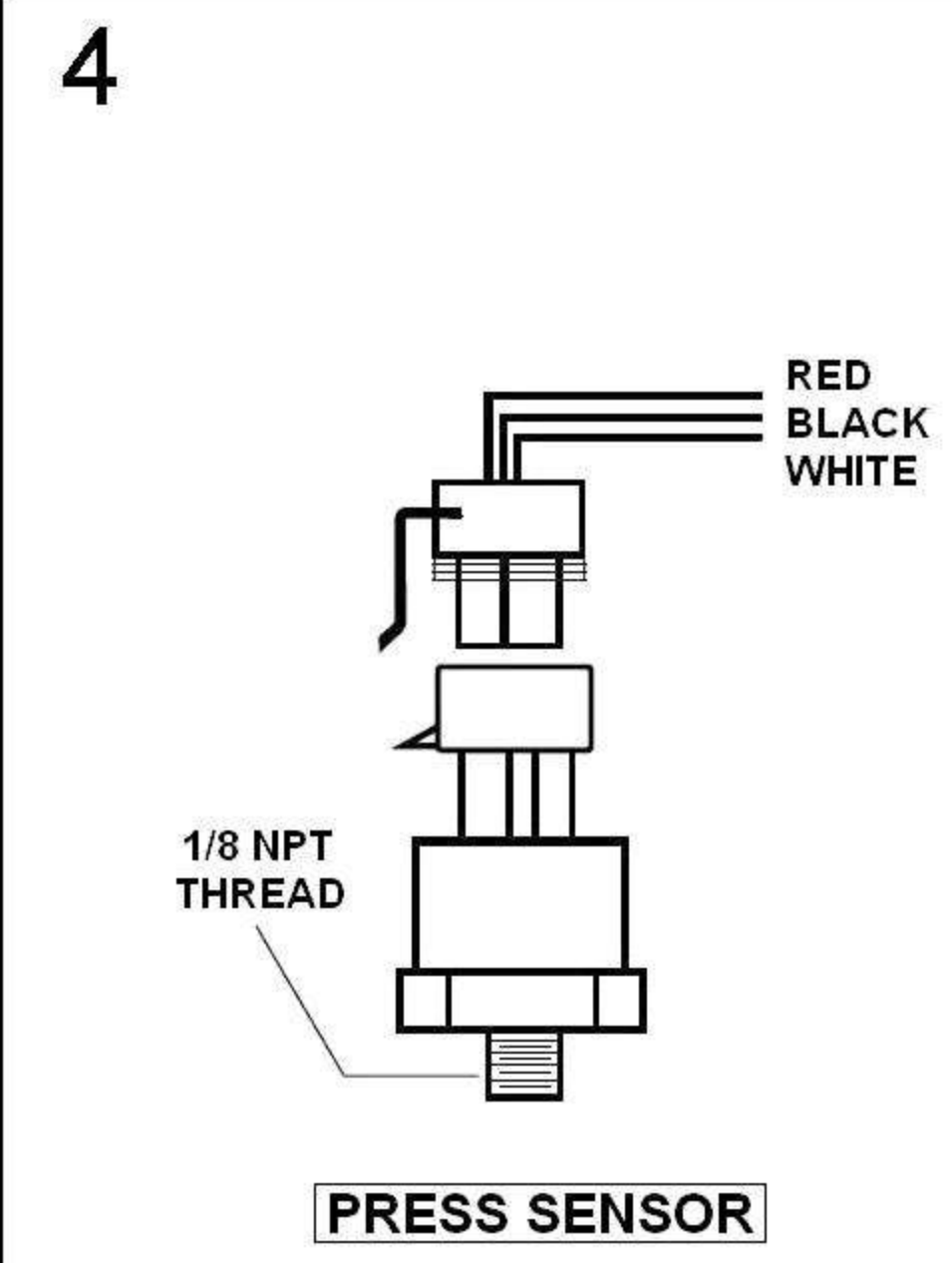
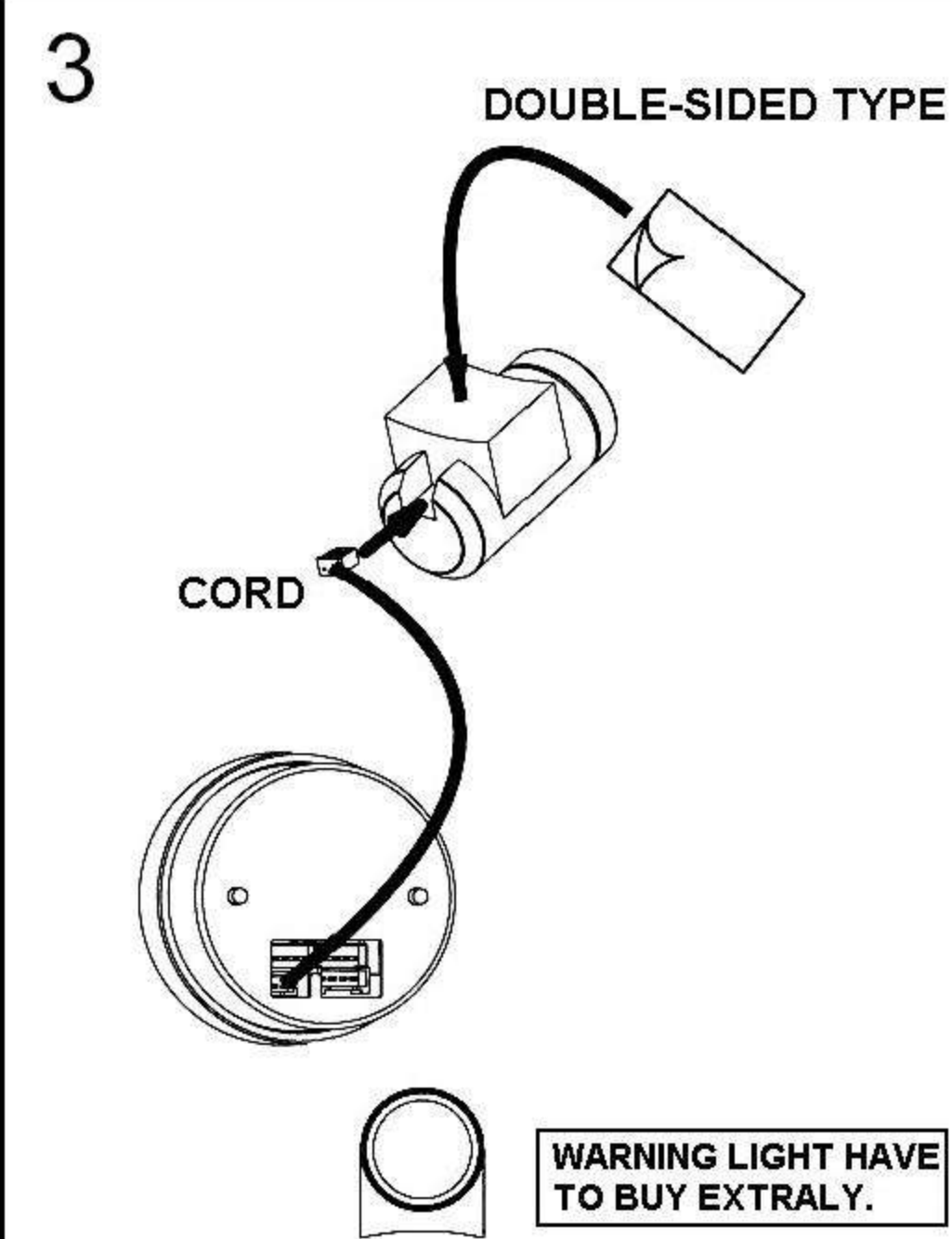
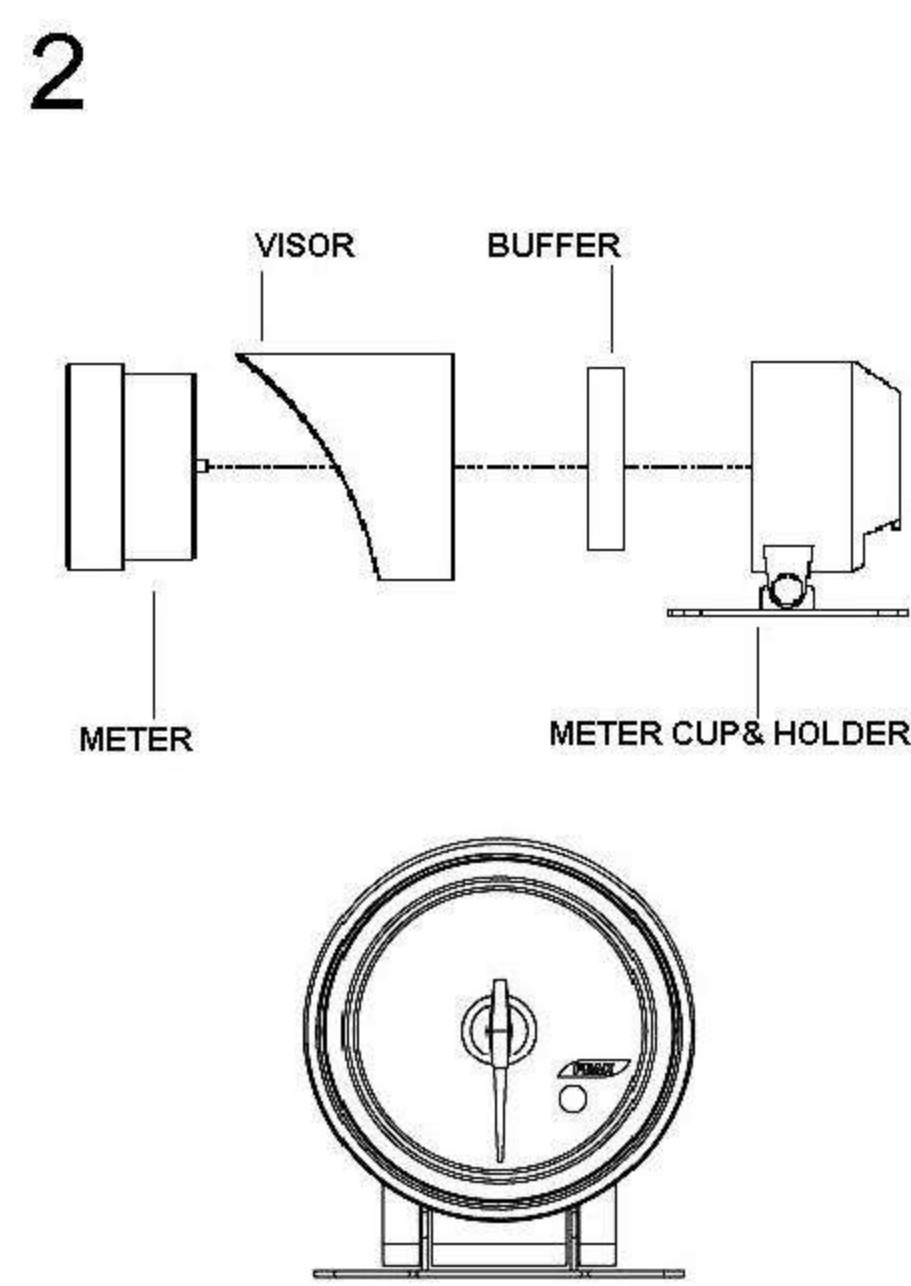
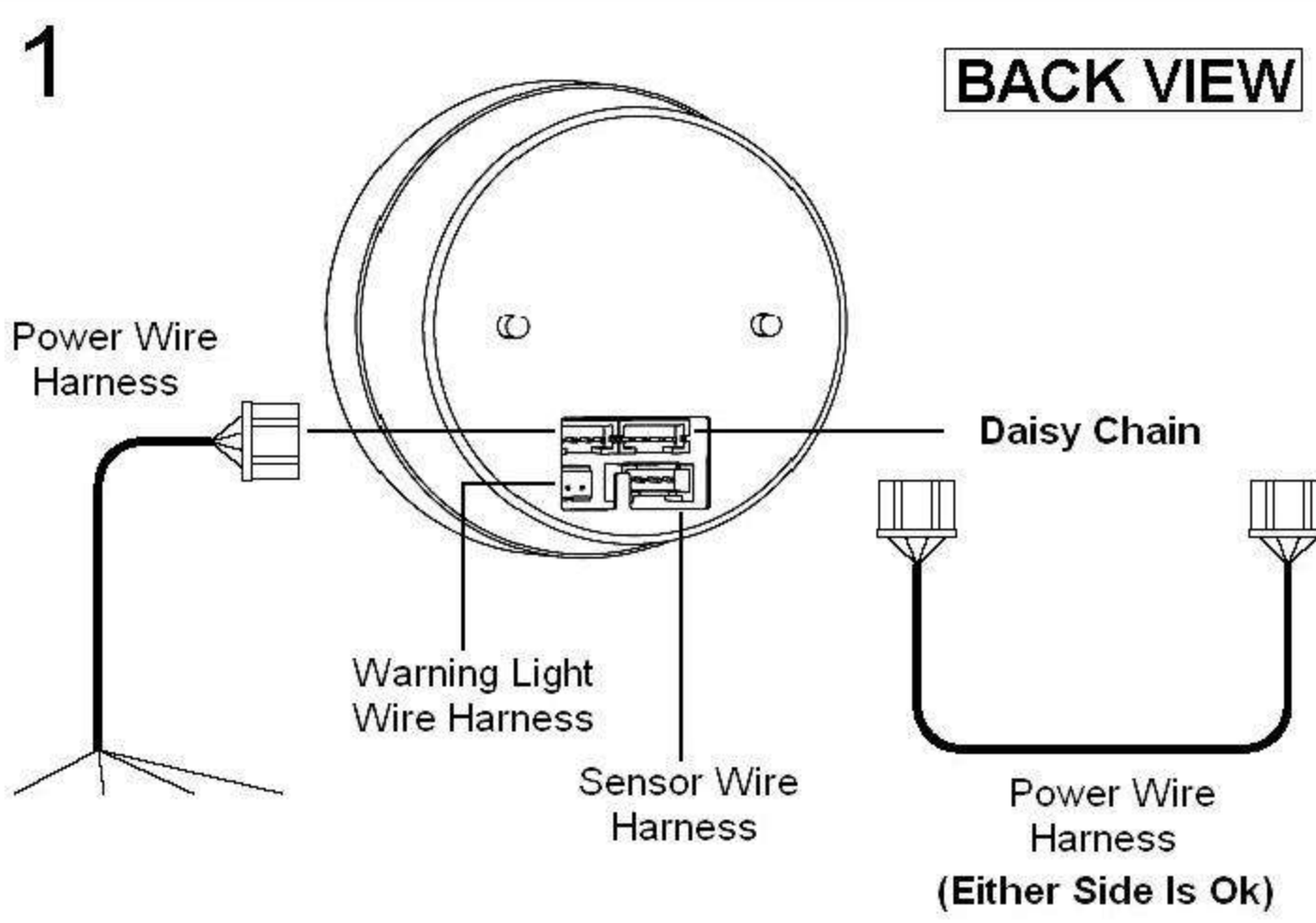


## ELECTRICAL GAUGES REMOTE CONTROLLER SERIES

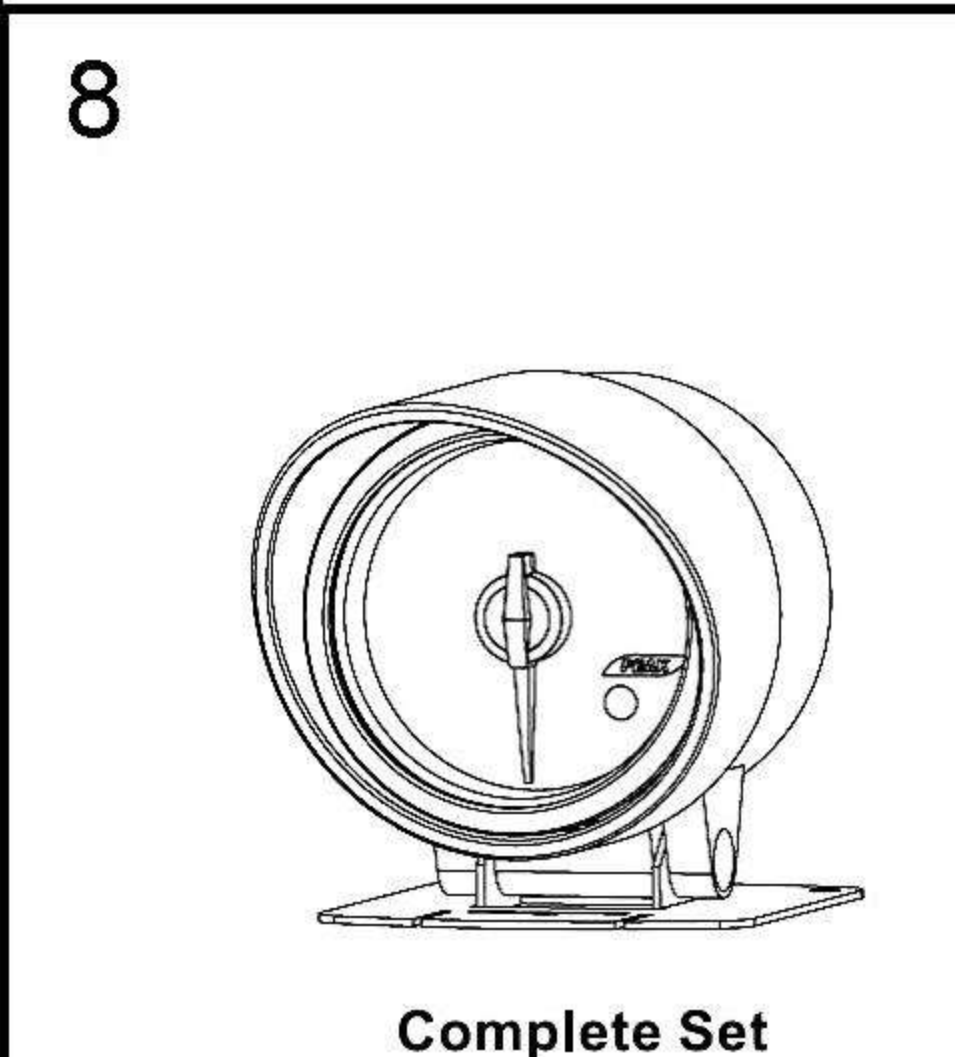
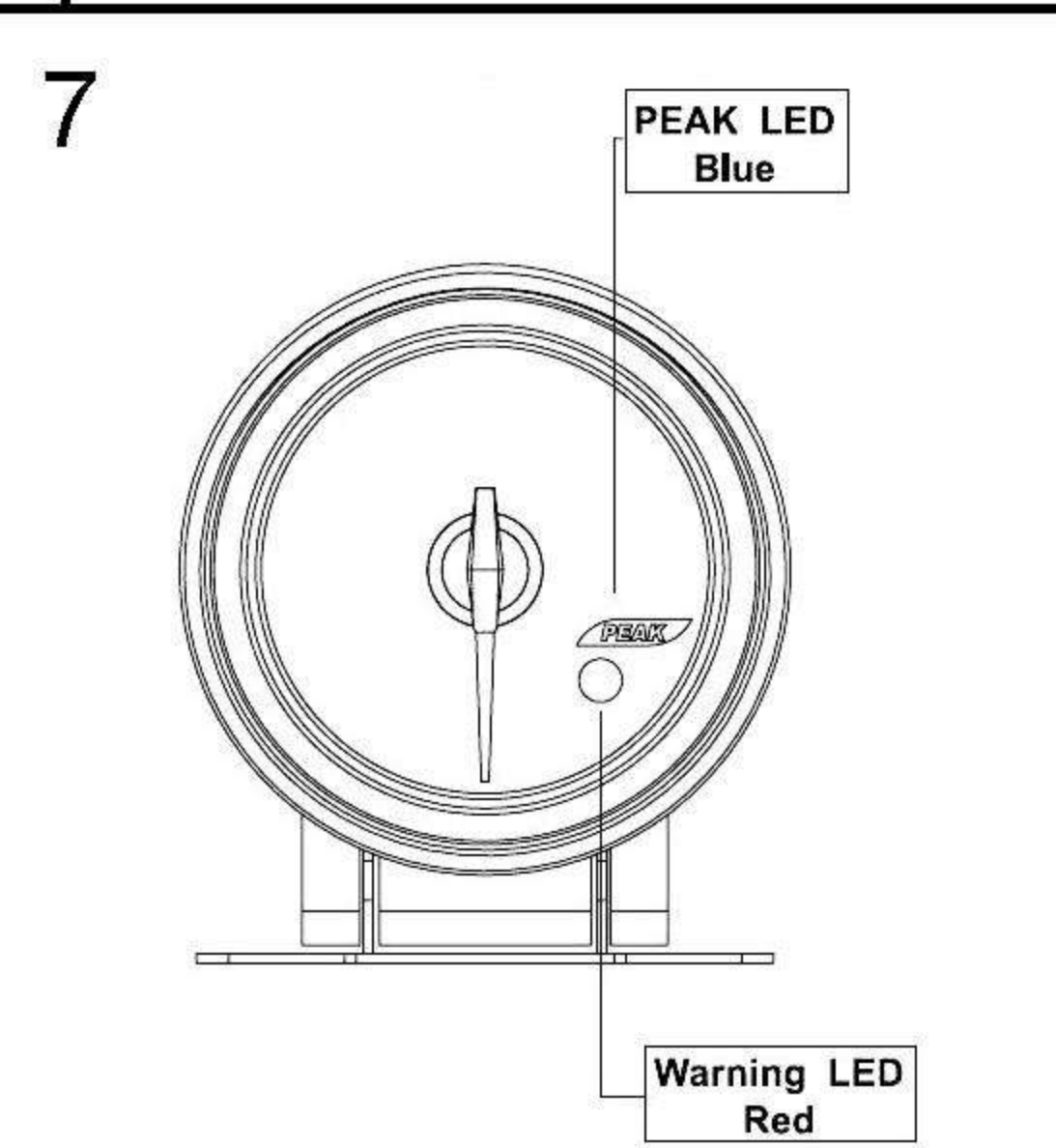
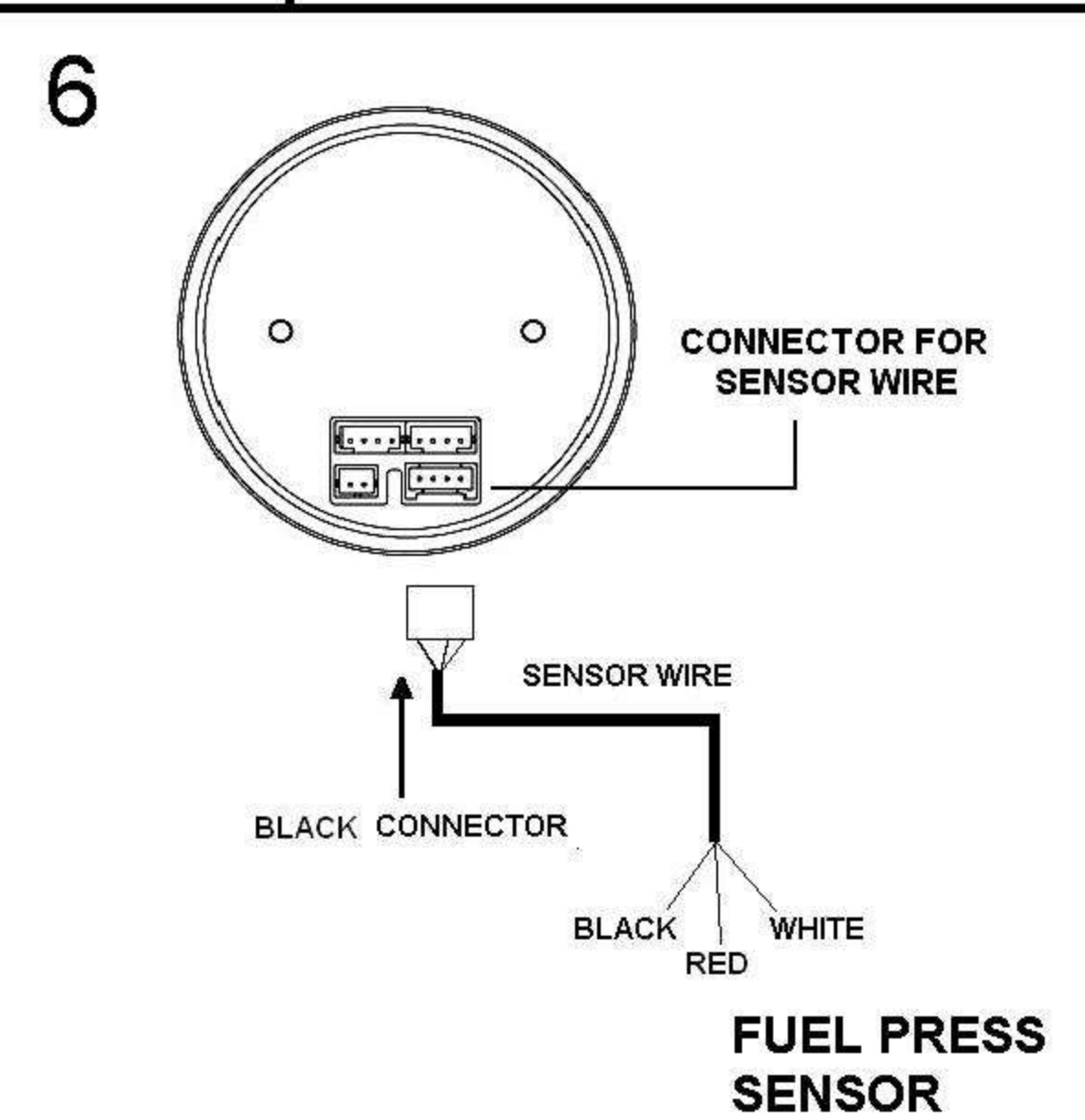
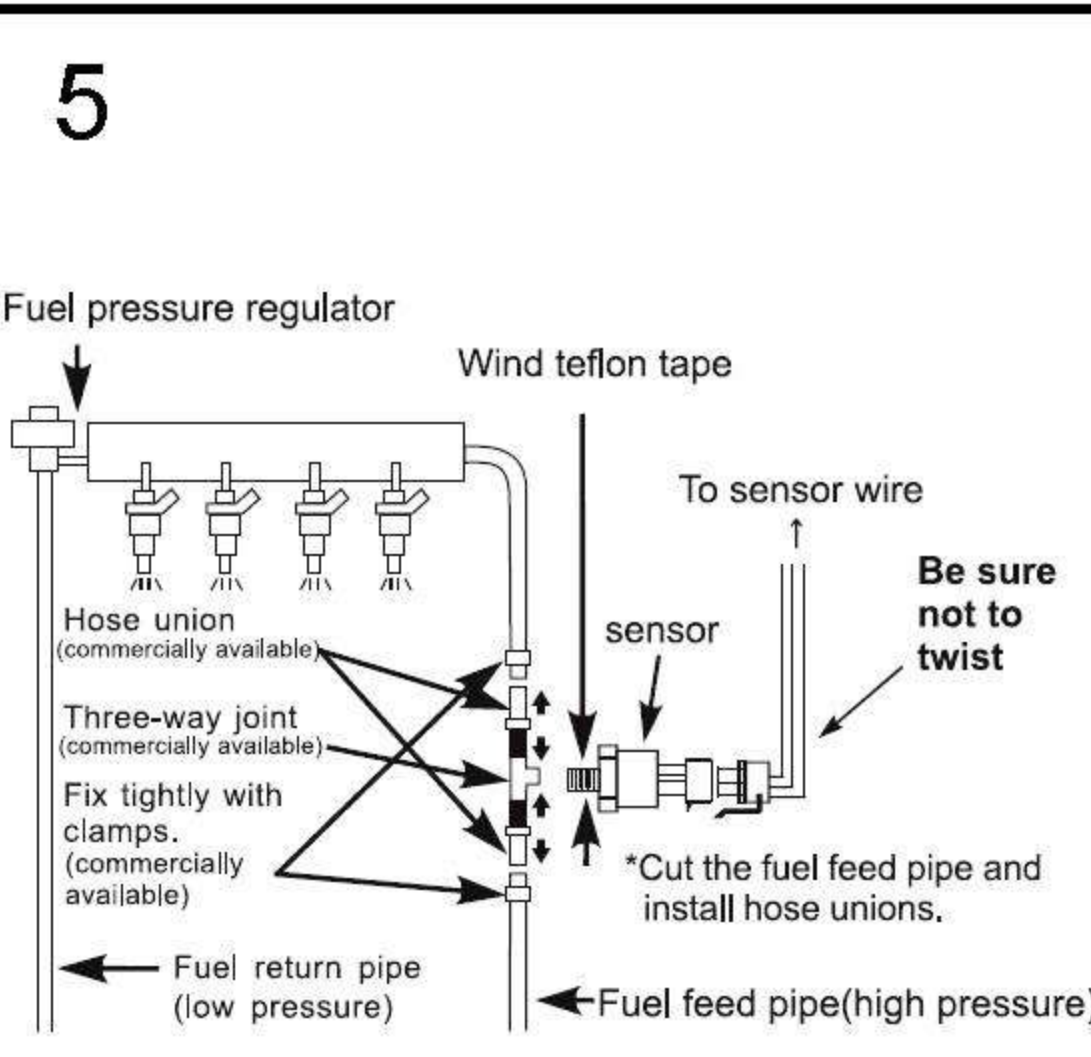
### SMOKE LENS & ANGEL RING GAUGE WHITE / BLUE / AMBER LED DISPLAY

# Fuel Press Gauge

## OPENING CEREMONY

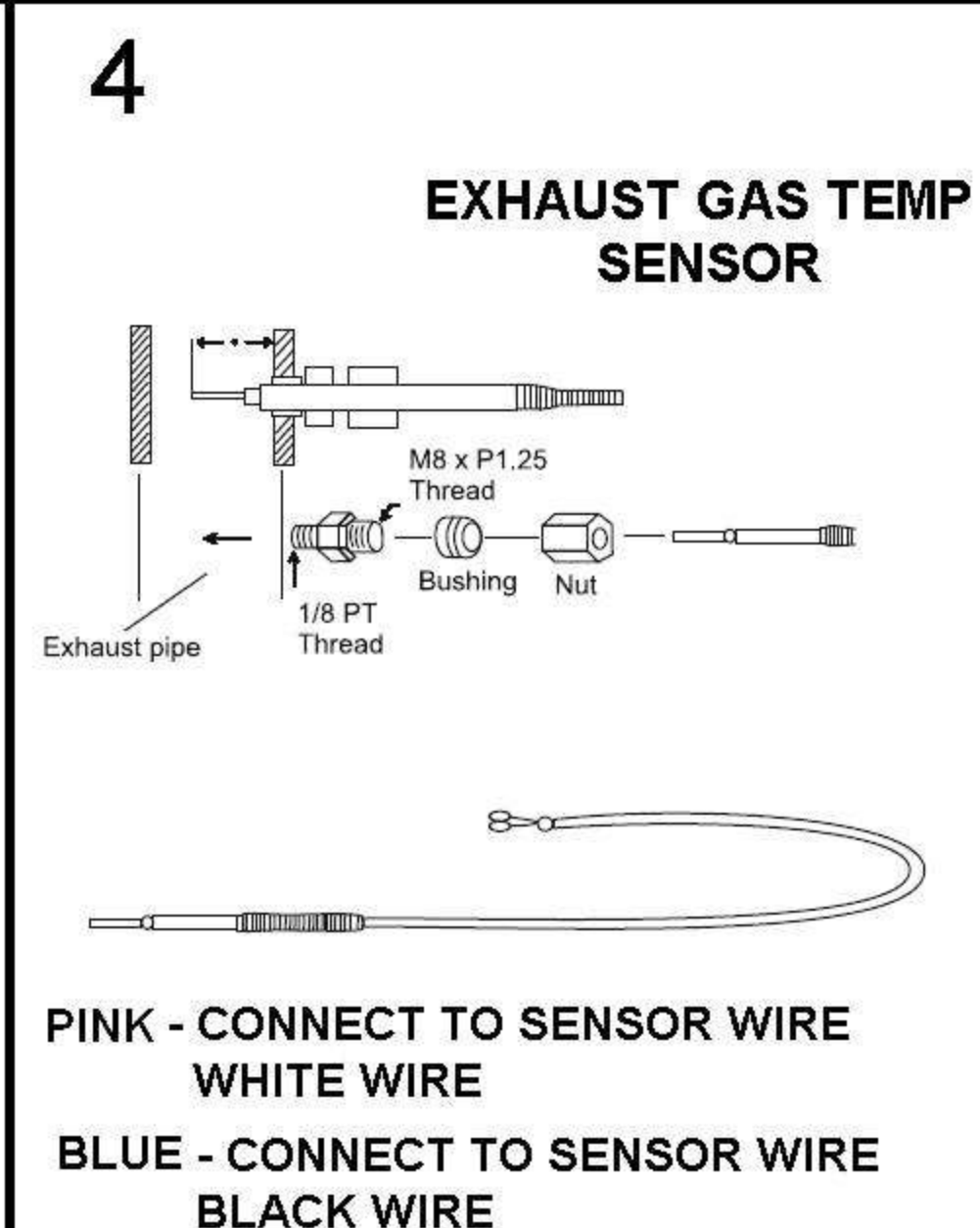
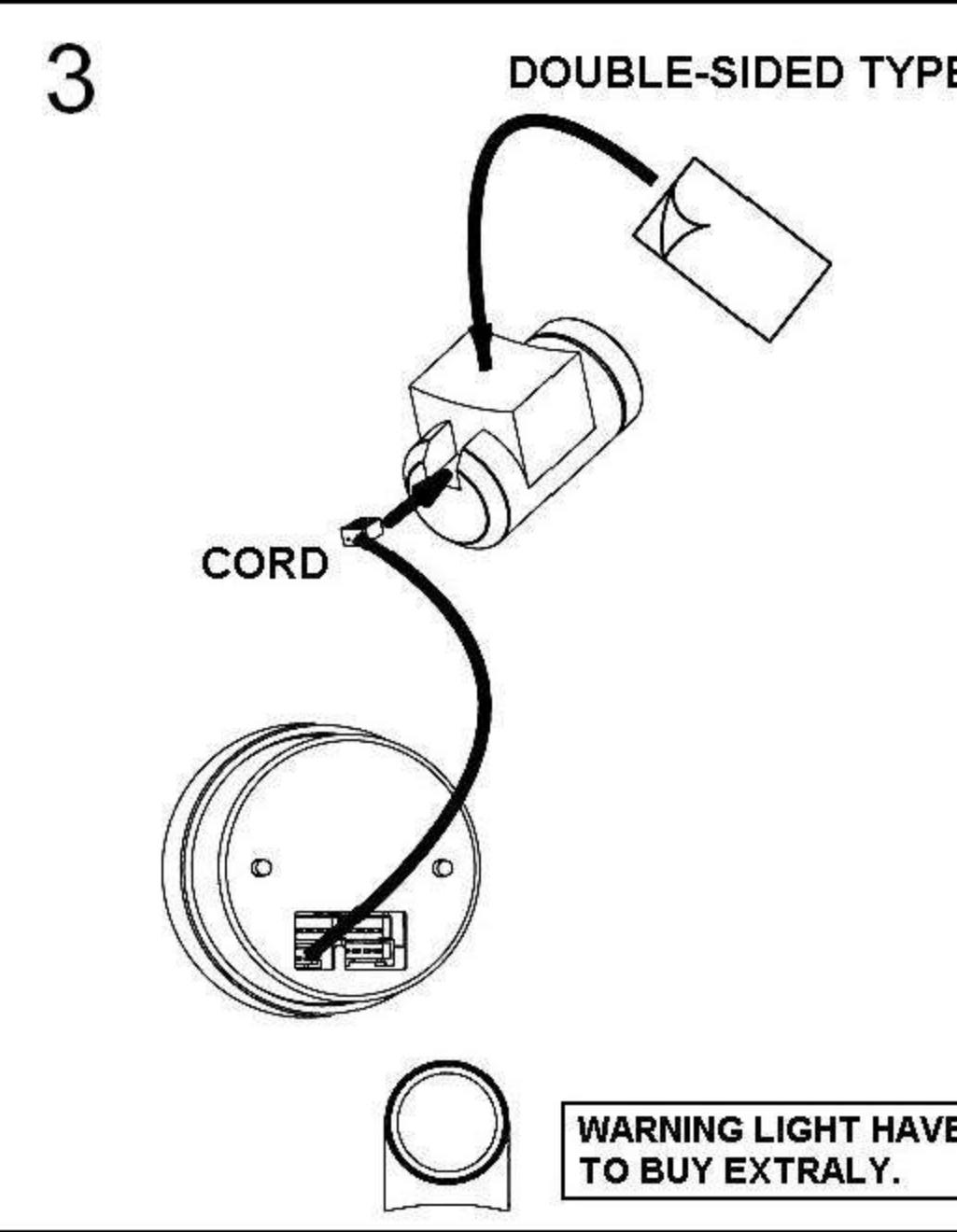
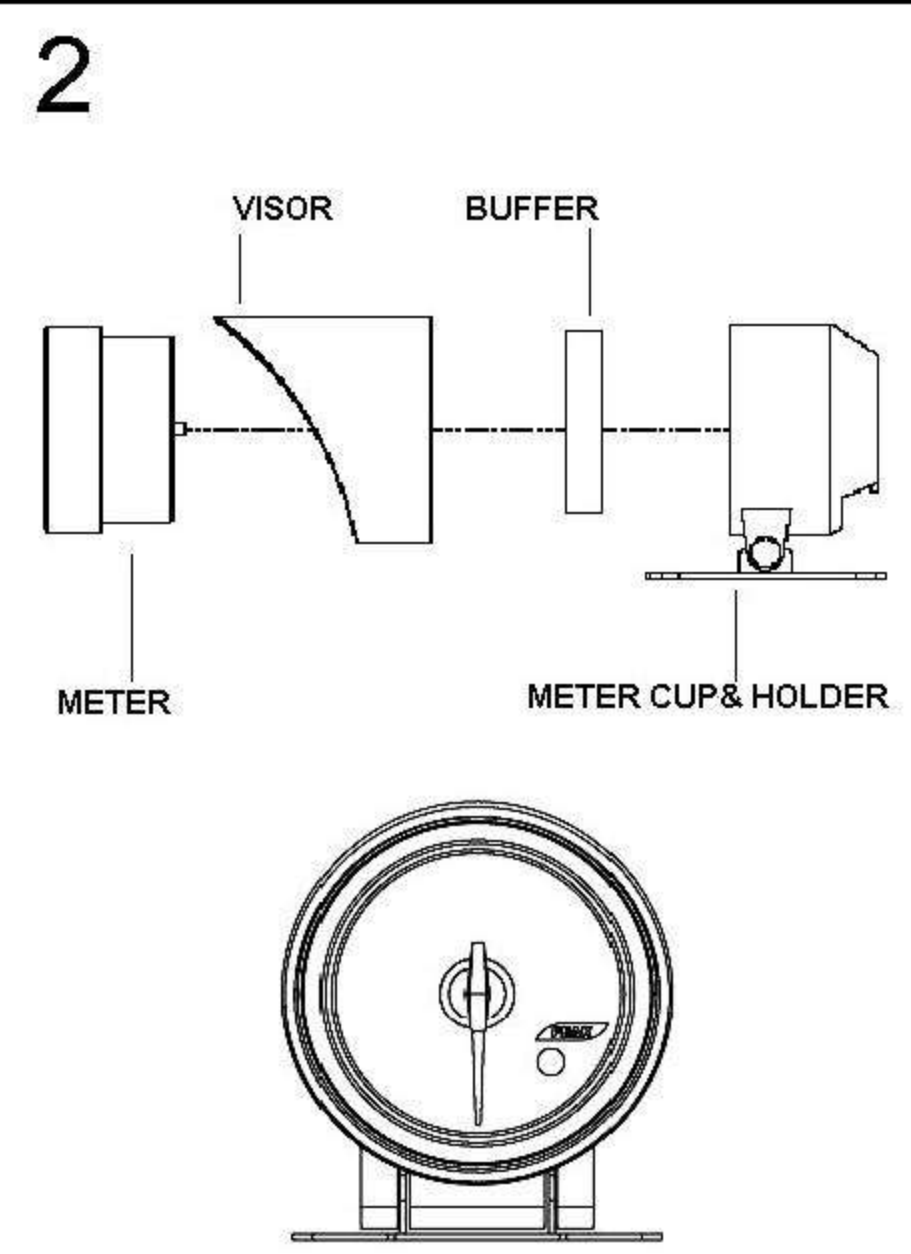
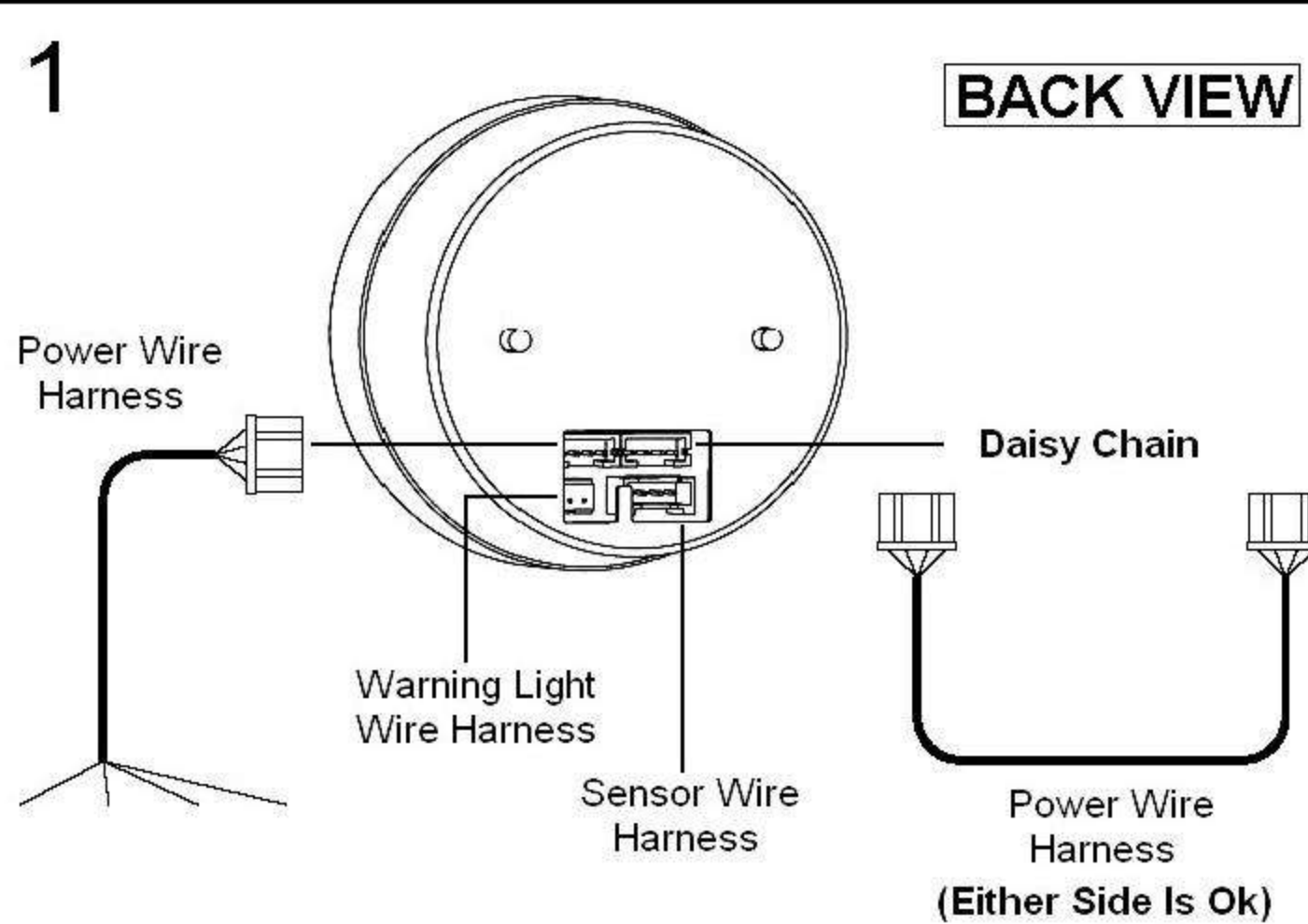


RED - BATTERY (+).  
BLACK - ENGINE GROUND.  
WHITE - IGNITION SWITCH 12V+  
ORANGE - DIMMER / +12V TO DIMMER  
CONNECT TO HEADLIGHT TO ACTIVAE.

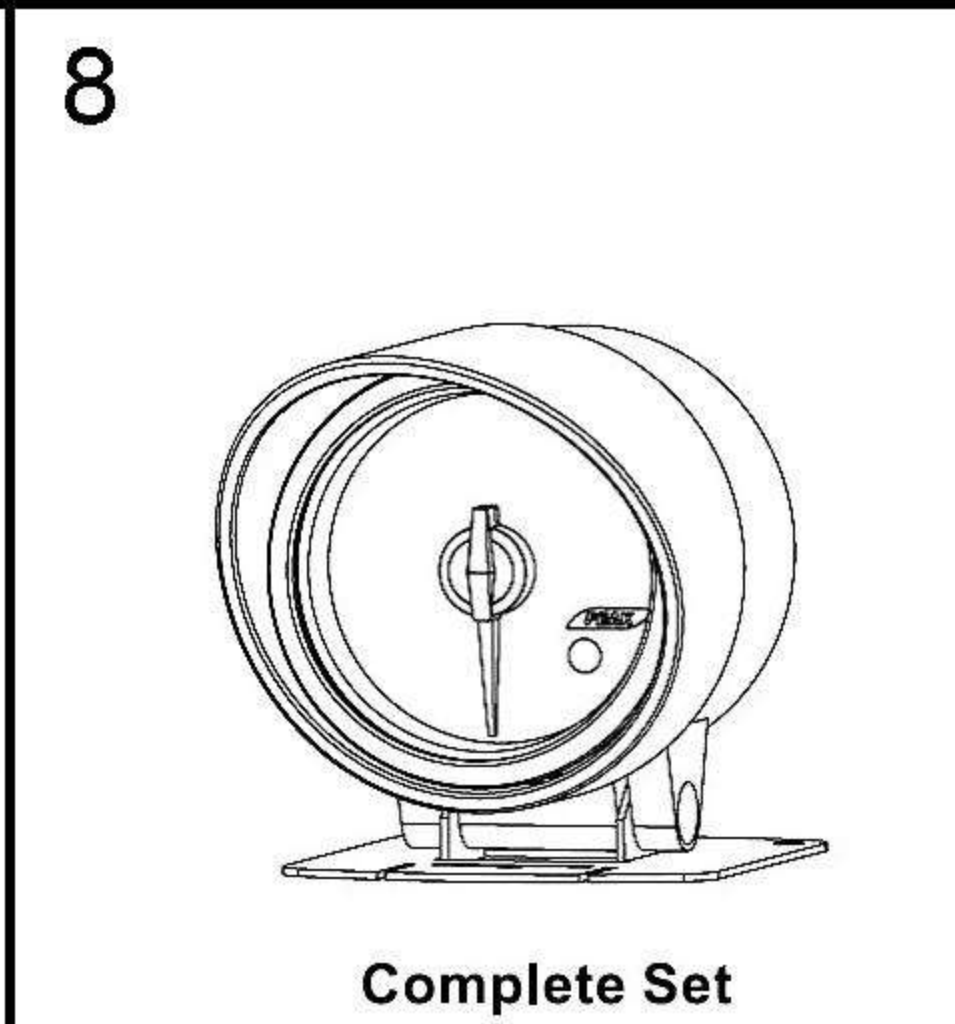
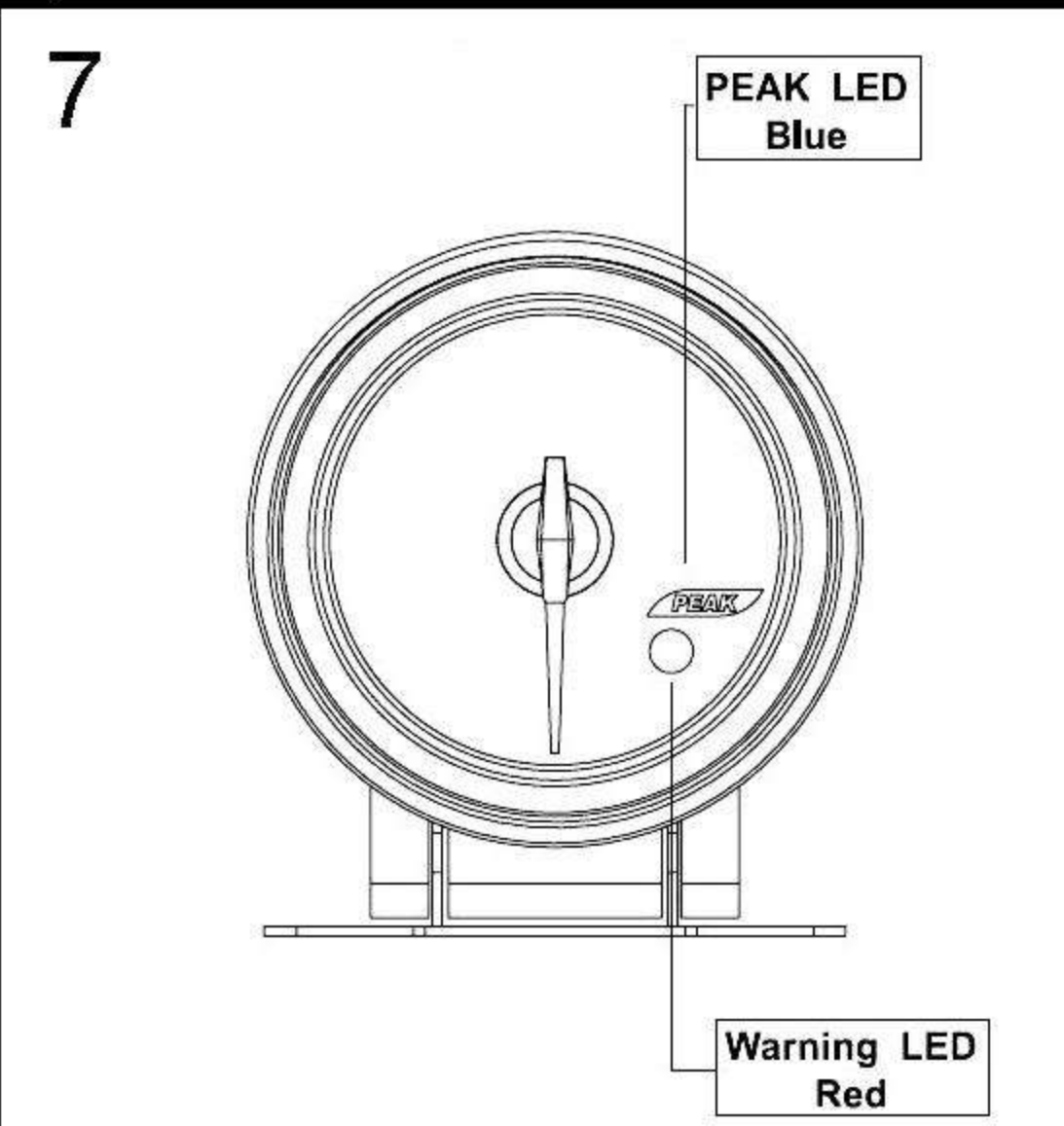
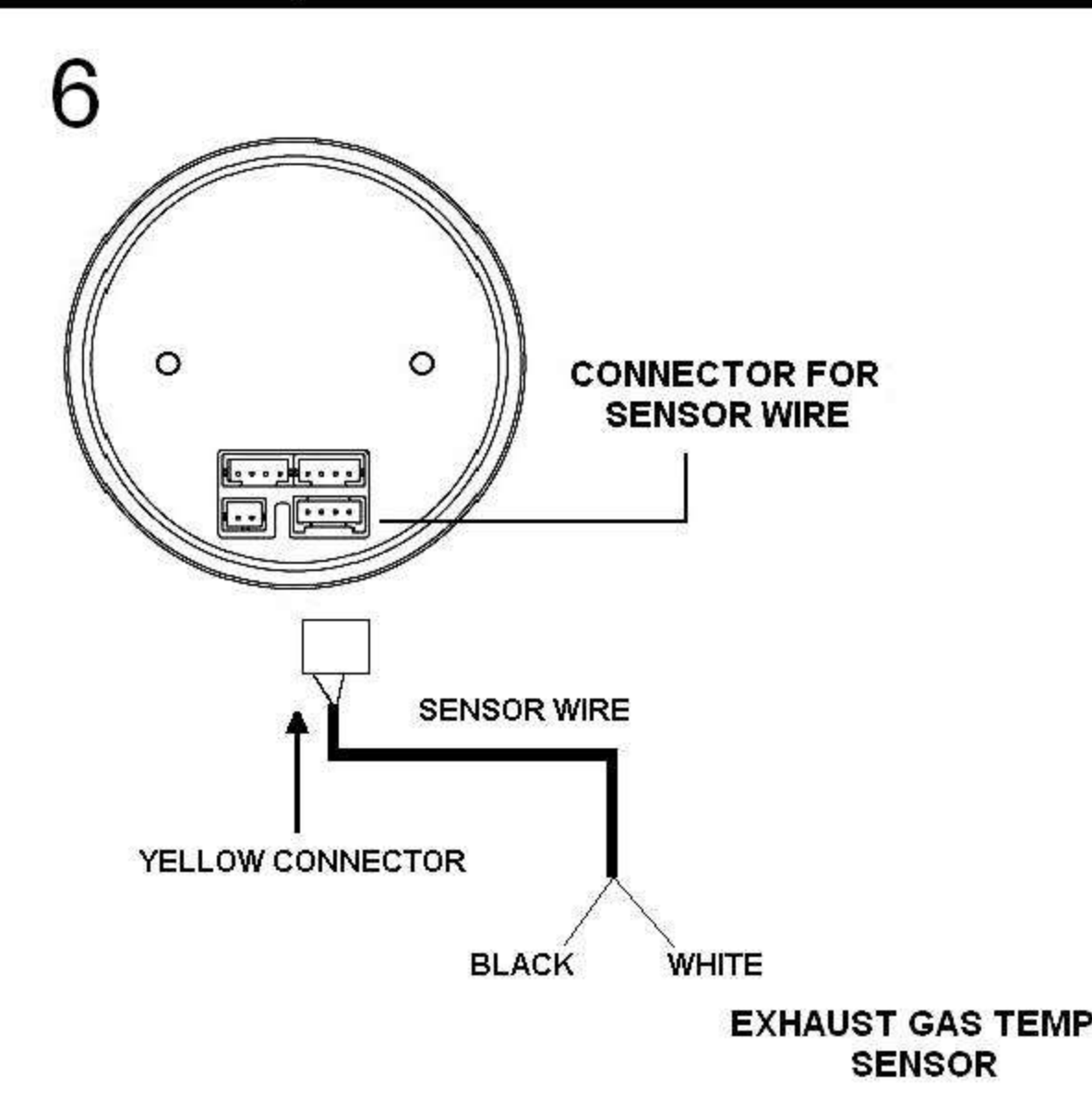
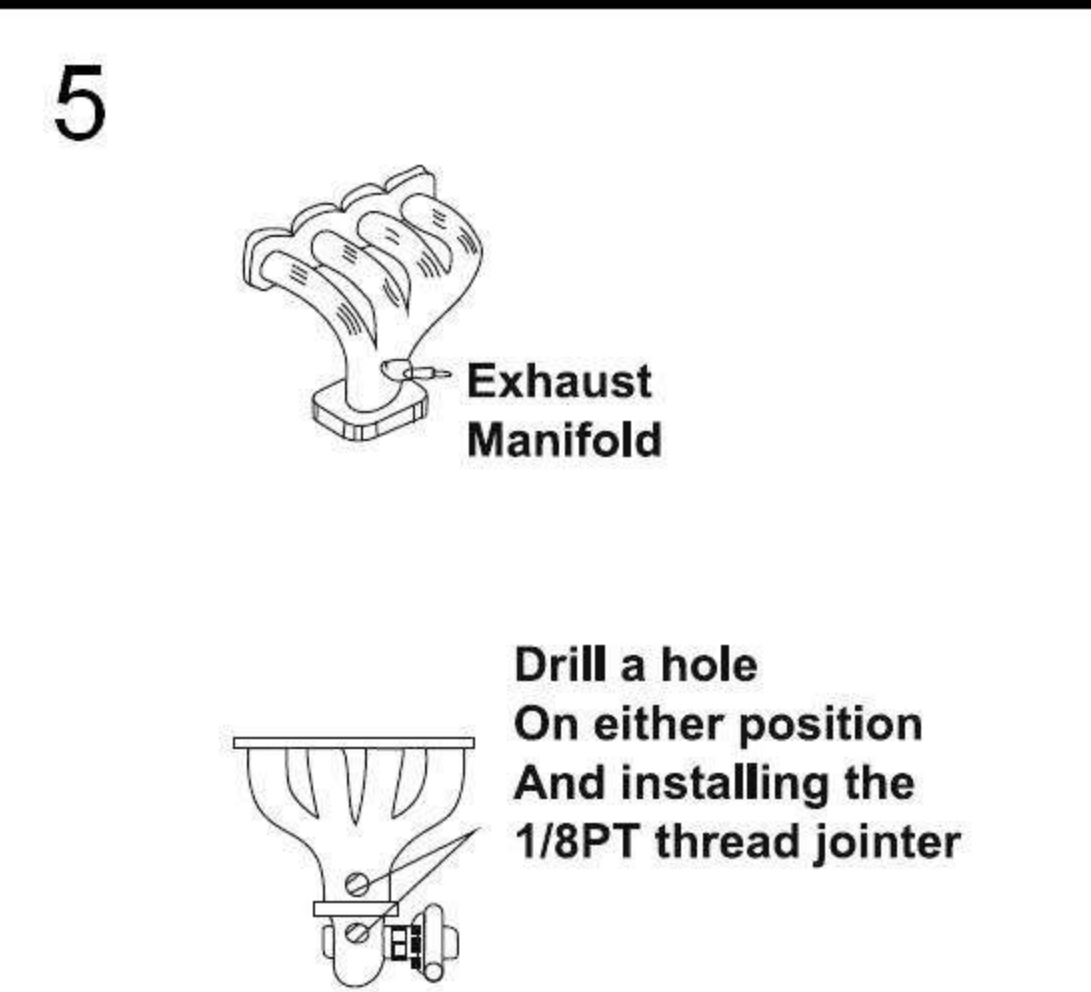


# Exhaust Gas Temperature Gauge

## OPENING CEREMONY



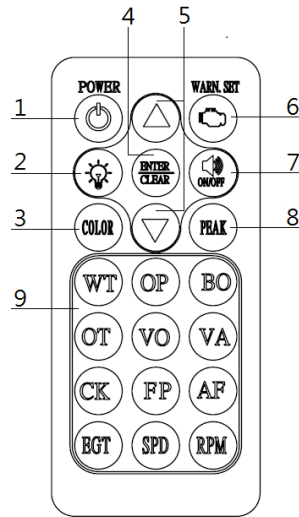
RED - BATTERY (+).  
BLACK - ENGINE GROUND.  
WHITE - IGNITION SWITCH 12V+  
ORANGE - DIMMER / +12V TO DIMMER  
CONNECT TO HEADLIGHT TO ACTIVAE.



**Note: The remote-controller have to buy extraly.**



1. Sleeping Mode
2. Brightness setting
3. Backlight color select feature
4. Save setting /Clear peak value
5. Arrow keys
6. Warning value adjustable
7. Warning sound mute feature
8. Peak Recall setting
9. Functions collections



## Instructions

### STEP 1

Choose the functions needed at the functions collections area.

### STEP 2

Once complete the connection between the remote controller & the gauge, then could continue the following settings.

(While the needle light start flashing it means the remote controller & the gauge have been linked)

#### A. Sleeping Mode

Press POWER (1) enter into the Sleeping mode, recover the gauge which is in the Sleeping mode, just need to press POWER (1) again.

#### B. Warning Value Setting

Press WARN.SET (6) for adjusting the warning value, in the meantime the warning light will be flashing, continue press ARROW KEYS (5) to set a suitable warning value, once done it, press ENTER(4) save the value and out of setting, otherwise, wait 7 secs without any operation and could continue other settings.

#### C. Brightness adjustable mode

Press the Brightness adjustable button to set the brightness. In the meantime, the angel ring will start flashing, press ARROW KEYS (5) for setting brighter or dimmer, once done it, Press ENTER (4) for save and out of setting, otherwise, wait 7 secs without any operation and could continue other settings.

#### D. Peak mode

Press PEAK (8) enter the peak value recall mode, the peak value can be displayed

E. For Clear Peak, Press PEAK (8) enter the peak value recall mode, in the meantime, the peak light is keep brightened, then press CLEAR (4) for clear peak, the peak light turn to flash. Once done it, which will automatically go out of the Peak mode.

#### F. LED color switch

Press COLOR (3) for change the backlight color. Total three colors: White, Blue and Amber is optional.

#### G. Sound could be turn on/turn off

Press ON/OFF(7) for setting the sound turned on/ turned off. One Beep sound for muting mode, Two Beep sound is Voice Mode.

### STEP 3

Once done all of the settings, after 15 secs the gauge will leave out the link with the remote controller with any operation.

### Note:

**The remote-controller has to buy additionally.**