

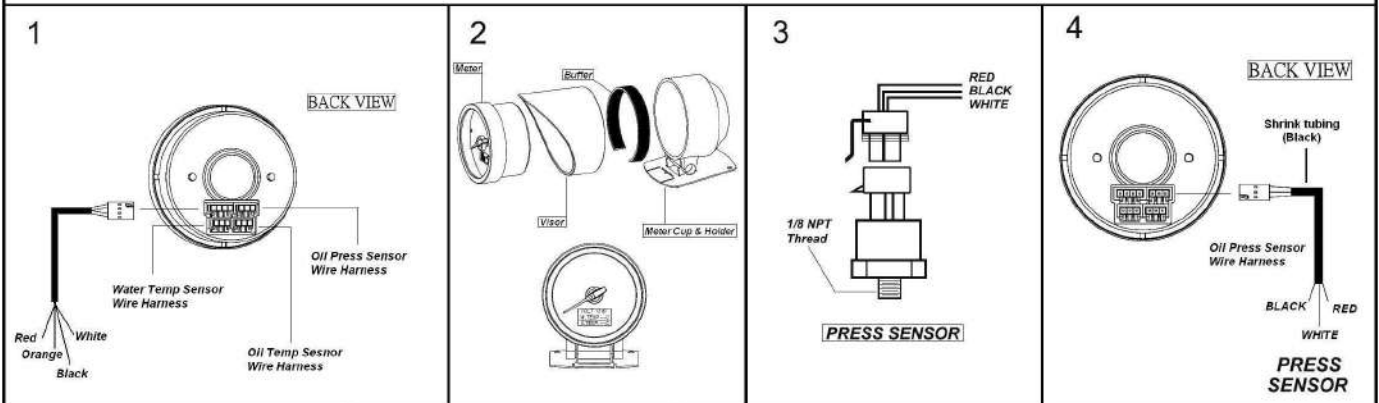
INSTALLATION INSTRUCTIONS ELECTRICAL GAUGES

STEPMOTOR MOVEMENT JAPAN

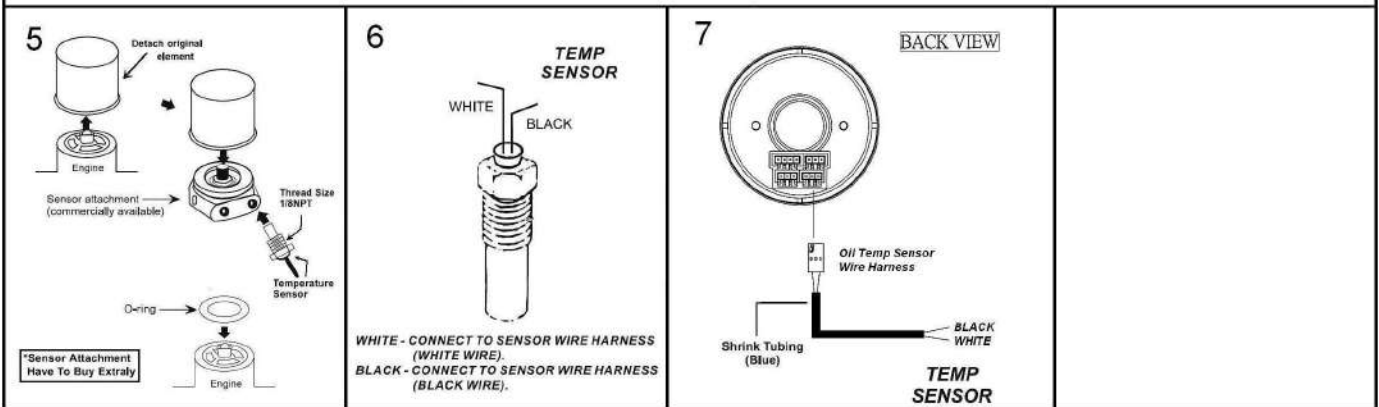
SMOKE LENS SERIES WHITE & AMBER LED DISPLAY

OPENING CEREMONY

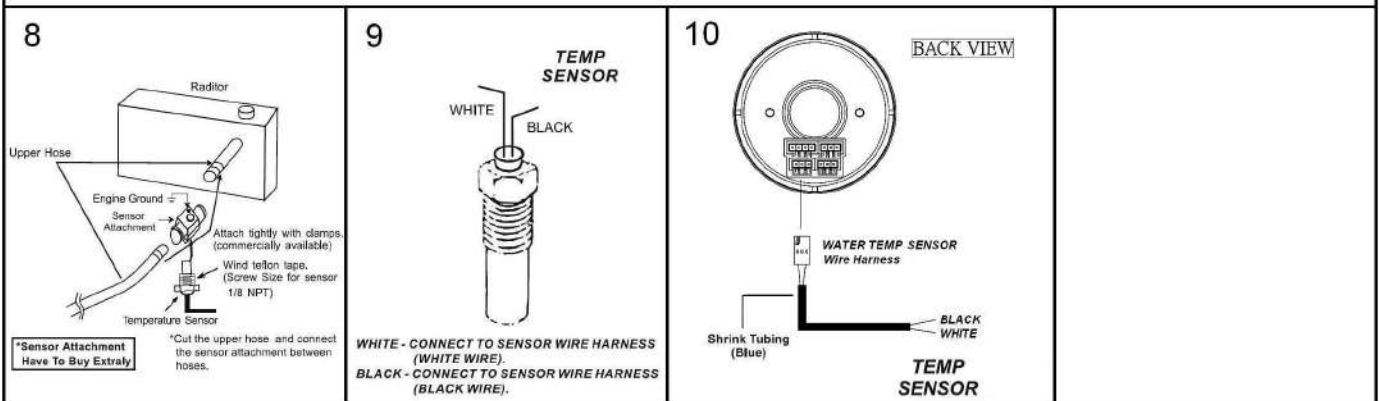
Oil Press gauge



Oil Temp Gauge



Water Temp Gauge



1. Connect power wire (RED) to +12V battery wire.
2. Connect power wire (BLACK) to ground, negative (-) battery terminal or a good chassis ground.
3. ORANGE - Note
4. WHITE - Note



NOTE: GAUGE REQUIRE FUNCTION

REQUIRE FUNCTION	INSTALLATION
DAYTIME	WHITE WIRE → CONNECT TO ACC
NIGHT TIME	ORANGE WIRE → NO CONNECT
WHITE SCALE	WHITE WIRE → NO CONNECT
AMBER RED	WHITE WIRE → NO CONNECT
SCALE	ORANGE WIRE → CONNECT TO ACC
AMBER RED	WHITE WIRE → CONNECT TO ACC
WHITE SCALE	ORANGE WIRE → CONNECT TO PARKING LAMP
SCALE	ORANGE WIRE → CONNECT TO ACC
AMBER RED	WHITE WIRE → CONNECT TO ACC
SCALE	WHITE WIRE → CONNECT TO PARKING LAMP