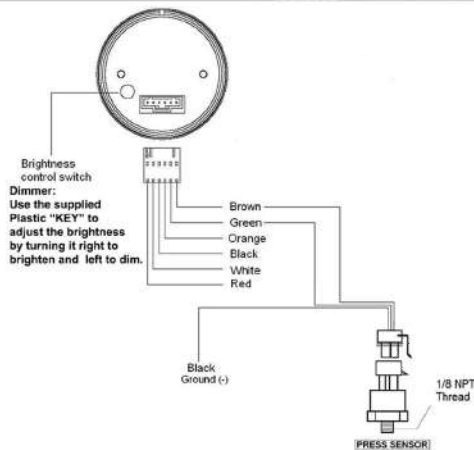


EVO Series Oil Pressure

Blue / Red Display



Wiring Instructions

Red Wire- 12v Accessory Power
White Wire- 12v Accessory Power
Black Wire- Ground
Orange Wire- 12v Headlight Switched Power
 (This is a power source that only gets power when headlights are on)

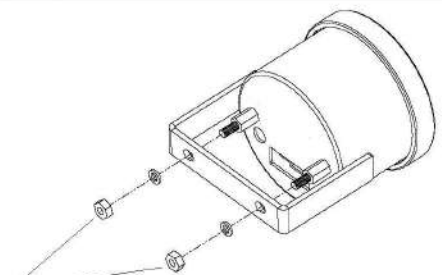
Installing the sensor:

Oil pressure sender thread pitch is 1/8th NPT It is suppose to become tighter when installing. Please do not over tighten the sensor.

Black to chassis ground
Brown from sender to brown on gauge harness.
Green from sender to green on gauge harness.

Lighting Options

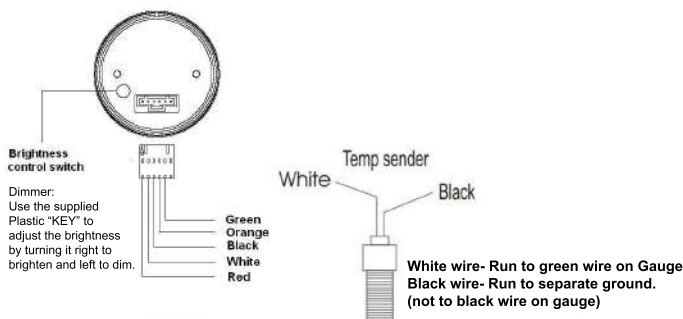
Day Time	Night Time	Installation
Blue	Blue	White-- Connect to acc. Power Orange-- Do not connect
Red	Red	White-- Do not connect Orange-- Connect to acc. Power
Blue	Red	White-- Connect to acc. Power Orange-- Connect to Headlight Switched Power
Red	Blue	White-- Connect to Headlight Switched Power Orange-- Connect to acc. Power



Do not over tighten bolts when installing U bracket. Doing so will cause damage to movement inside.

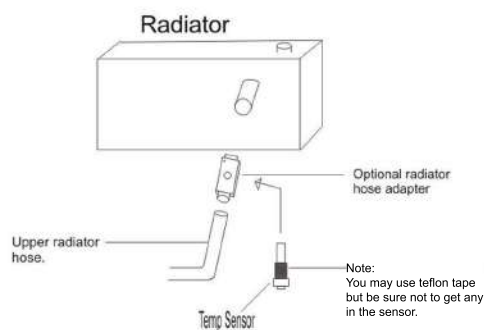
EVO Series Oil Temp and Water Temp

Blue / Red Display

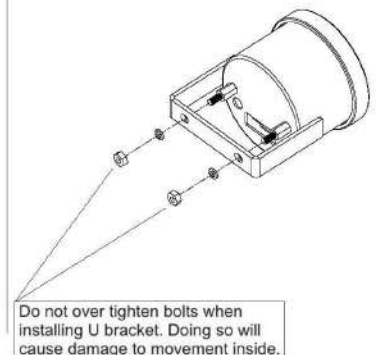
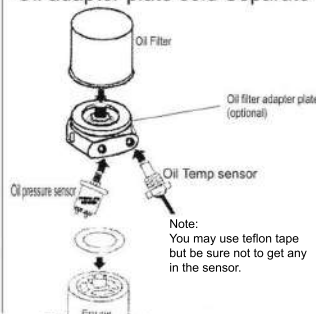


Wiring Instructions

Red Wire- 12v Accessory Power
White Wire- 12v Accessory Power
Black Wire- Ground
Orange Wire- 12v Headlight Switched Power
 (This is a power source that only gets power when headlights are on)
Green Wire- Run to the White wire on the sensor.
 Temp sensor thread pitch is 1/8th NPT. It is suppose to become tighter when installing. Please do not over tighten the sensor.



~Optional Oil adapter plate sold Separate



Do not over tighten bolts when installing U bracket. Doing so will cause damage to movement inside.