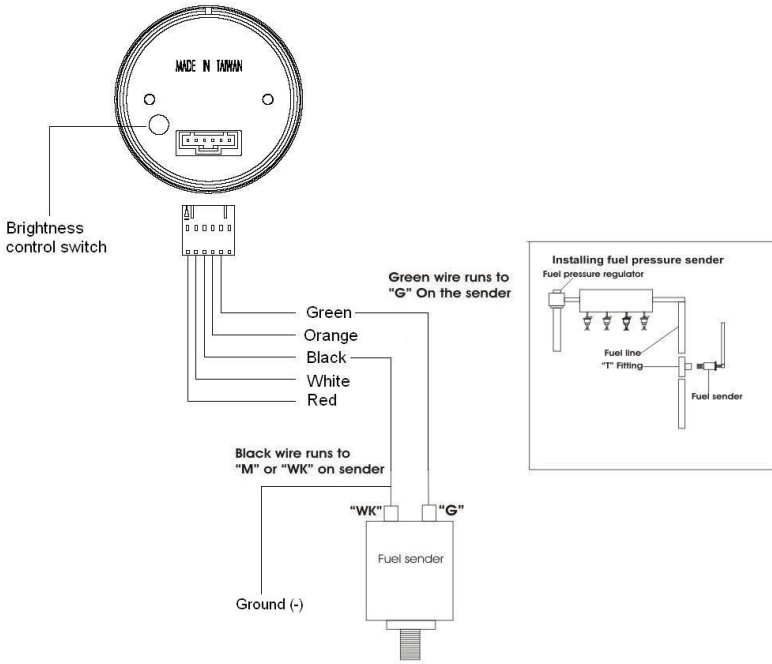


# Digital Lcd Fuel Pressure Gauge

Blue / Red Display

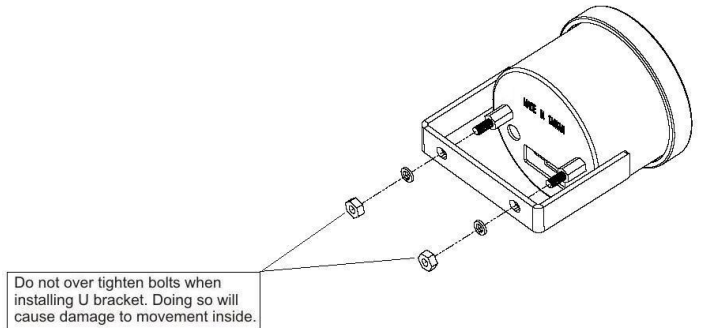


## Wiring Instructions

Red- 12V Accessory power  
 Black-Ground  
 White-Accessory power on  
 Orange-Headlight switch  
 (when headlights are turned on, gauge turns amber)

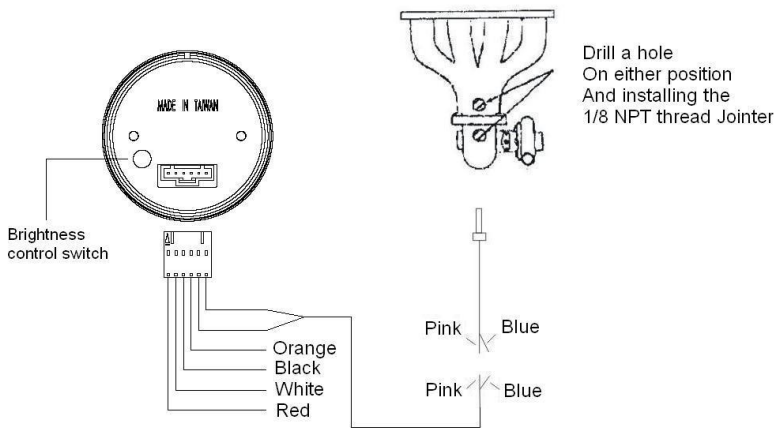
## Lighting Diagram

Day Time	Night Time	Installation
Blue	Blue	White — Connect to acc. Power Amber — Do not connect
Red	Red	White — Do not connect Amber — Connect to acc. Power
Blue	Red	White — Connect to acc. Power Amber — Connect to parking lamp
Red	Blue	Amber — Connect to acc. Power White — Connect to parking lamp



# Digital Lcd Exhaust Gas Temp Gauge

Blue / Red Display



## Wiring Instructions

Red-12v Accessory power  
 Black- Ground  
 White- Accessory power on  
 Orange- Headlight Switch( Once headlights are turned on the gauge turns amber).

## Lighting Diagram

Day Time	Night Time	Installation
Blue	Blue	White — Connect to acc. Power Amber — Do not connect
Red	Red	White — Do not connect Amber — Connect to acc. Power
Blue	Red	White — Connect to acc. Power Amber — Connect to parking lamp
Red	Blue	White — Connect to acc. Power Amber — Connect to parking lamp

You will need to drill and tap a 1/8th NPT fitting for the probe to go into. We recommend a professional to tap this. Try to avoid shavings from going into the manifold or exhaust.