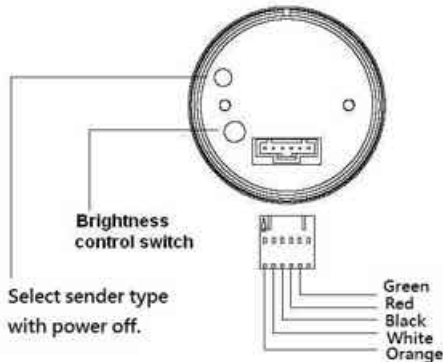


Prosport Inc.

EVO Series Digital Fuel Level Gauge

Red/Blue Display



Wiring Instructions:

- Red - 12v Accessory Power (+)
- Black - Negative Ground (-)
- Green - Attaches to fuel level output signal wire from ECU
- White - 12v Accessory Power (+)
- Orange - Head light switch (12v switch power)

SENDER TYPE SELECTION SWITCH

1. Selecting number of Fuel Level sender type:
Setting the sender type for 1-9 type operation is achieved simply by sliding the switch, located on back of the gauge body, to coincide with the appropriate number of fuel sender of the car.
2. switch position:
See the sender select chart
3. The red or black wire MUST be removed before adjustment to the sender setting is made from the sender selector switch.

Sender Select Chart

Sender Type		Switch
Ford Pre-'89, Chrysler	73 - 10 ohms	-1-
Ford '89 - Present	16 - 158 ohms	-2-
GM Pre-'65	0 - 30 ohms	-3-
GM '65 - Present*	0 - 90 ohms	-4-
Auto Meter Sender	240 - 33 ohms	-5-
Eclipse '90 - '02, Civic '88 - '00	107.5 - 7 ohms	-6-
Civic '01 - Present	131 - 12 ohms	-7-
Japan sender	0 - 120 ohms	-8-
Tank sender	10 - 180 ohms	-9-

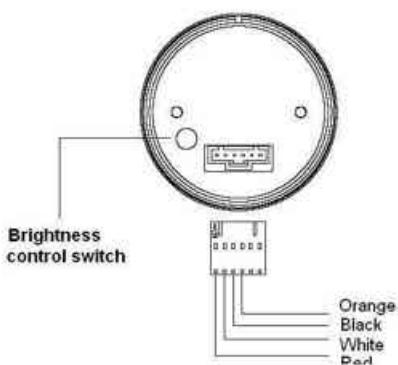
* Starting in '98, some GM models began using a different sender type.

Lighting Diagram

Day Time	Night Time	Installation
Blue	Blue	White — Connect to acc. Power Amber — Do not connect
Red	Red	White — Do not connect Amber — Connect to acc. Power
Blue	Red	White — Connect to acc. Power Amber — Connect to parking lamp
Red	Blue	Amber — Connect to acc. Power White — Connect to parking lamp

EVO Series Digital Volt Gauge

Red/Blue Display

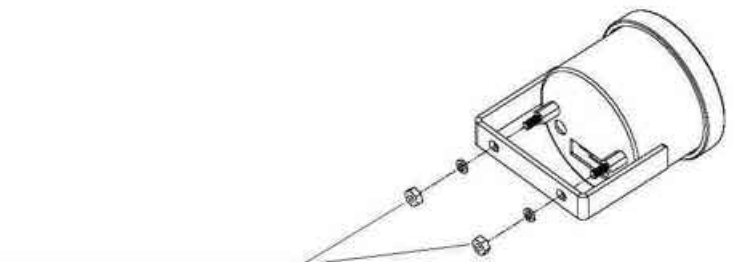


Wiring Instructions:

- Red - 12v Accessory Power (+)
- Black - Negative Ground (-)
- White - 12v Accessory Power (+)
- Orange - Head light switch (12v switch power)

Lighting Diagram

Day Time	Night Time	Installation
Blue	Blue	White — Connect to acc. Power Amber — Do not connect
Red	Red	White — Do not connect Amber — Connect to acc. Power
Blue	Red	White — Connect to acc. Power Amber — Connect to parking lamp
Red	Blue	Amber — Connect to acc. Power White — Connect to parking lamp



Do not over tighten bolts when installing U bracket. Doing so will cause damage to movement inside.