

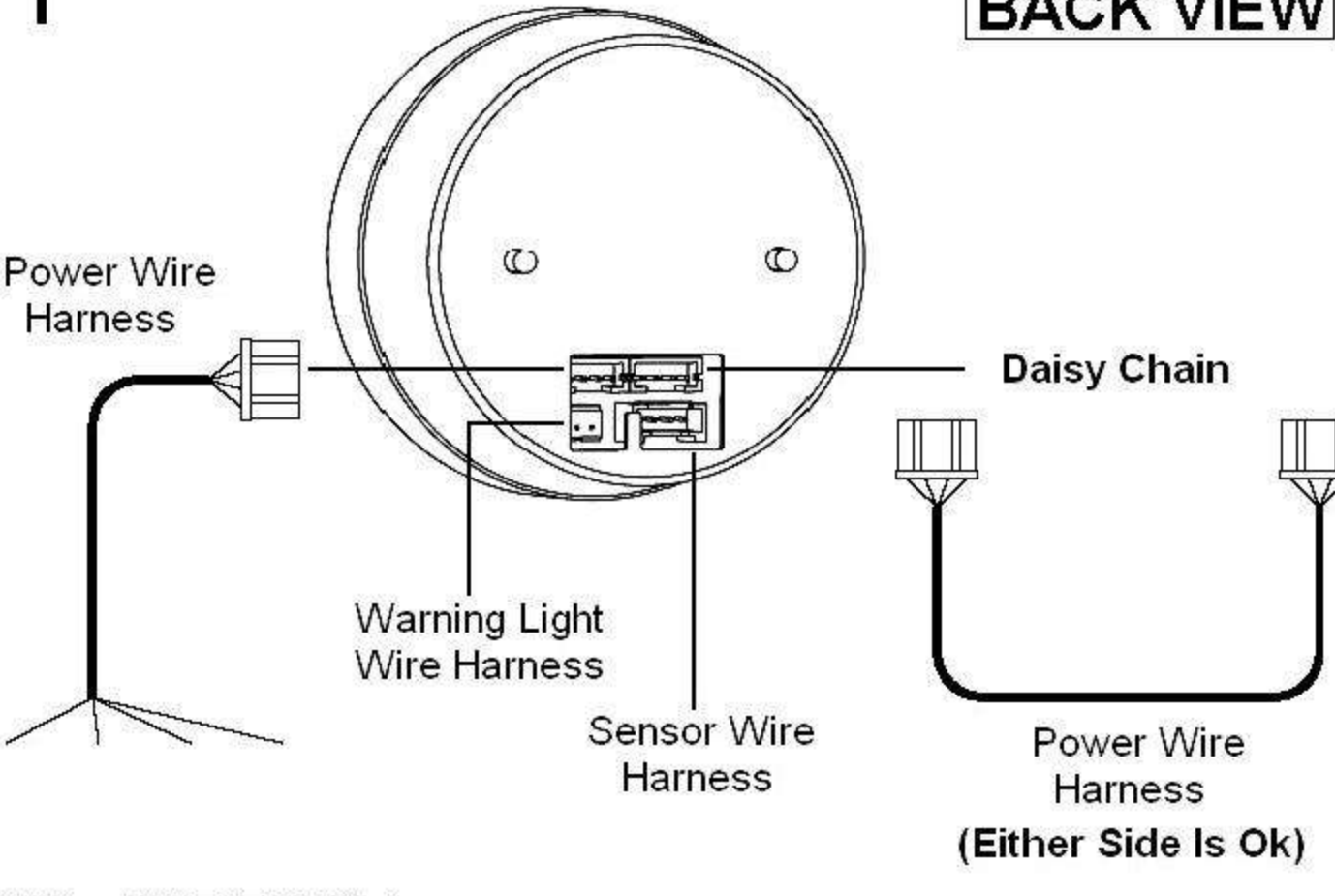
ELECTRICAL GAUGES REMOTE CONTROLLER SERIES

SMOKE LENS & ANGEL RING GAUGE WHITE / BLUE / AMBER LED DISPLAY

Fuel Press Gauge

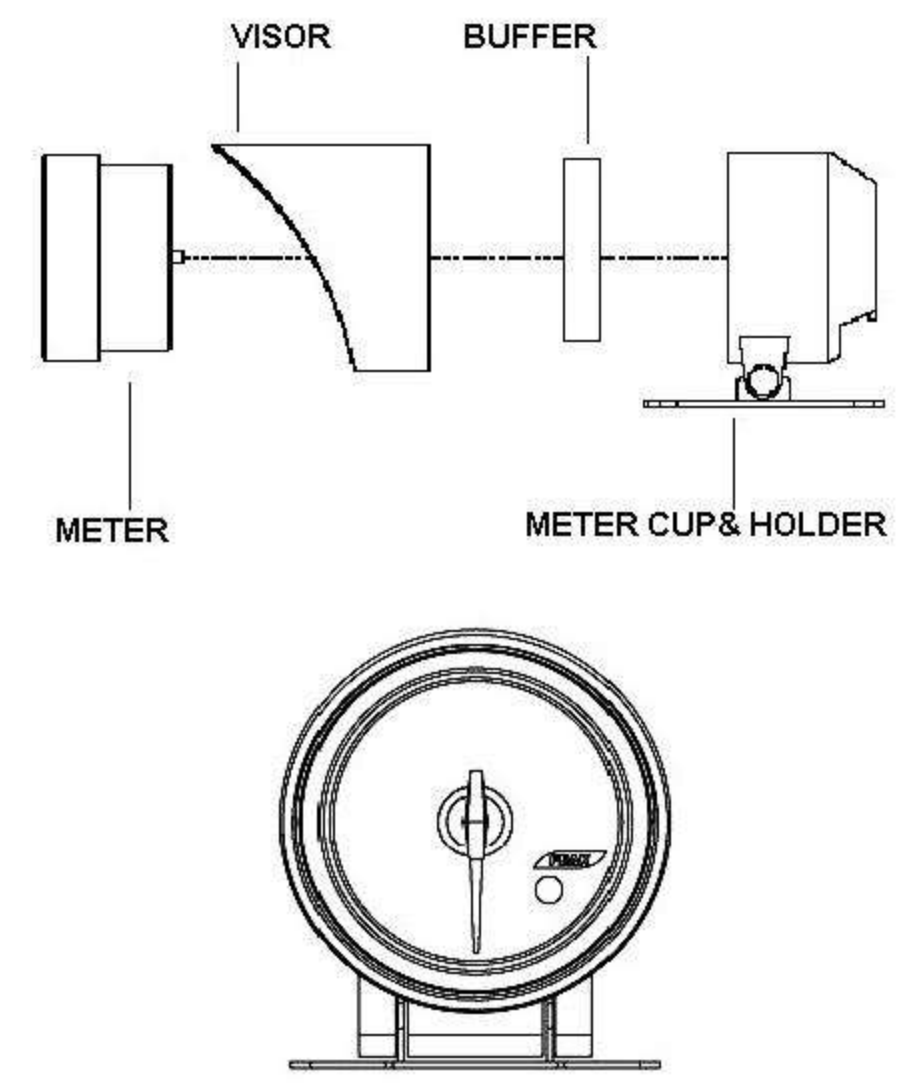
OPENING CEREMONY

1 **BACK VIEW**

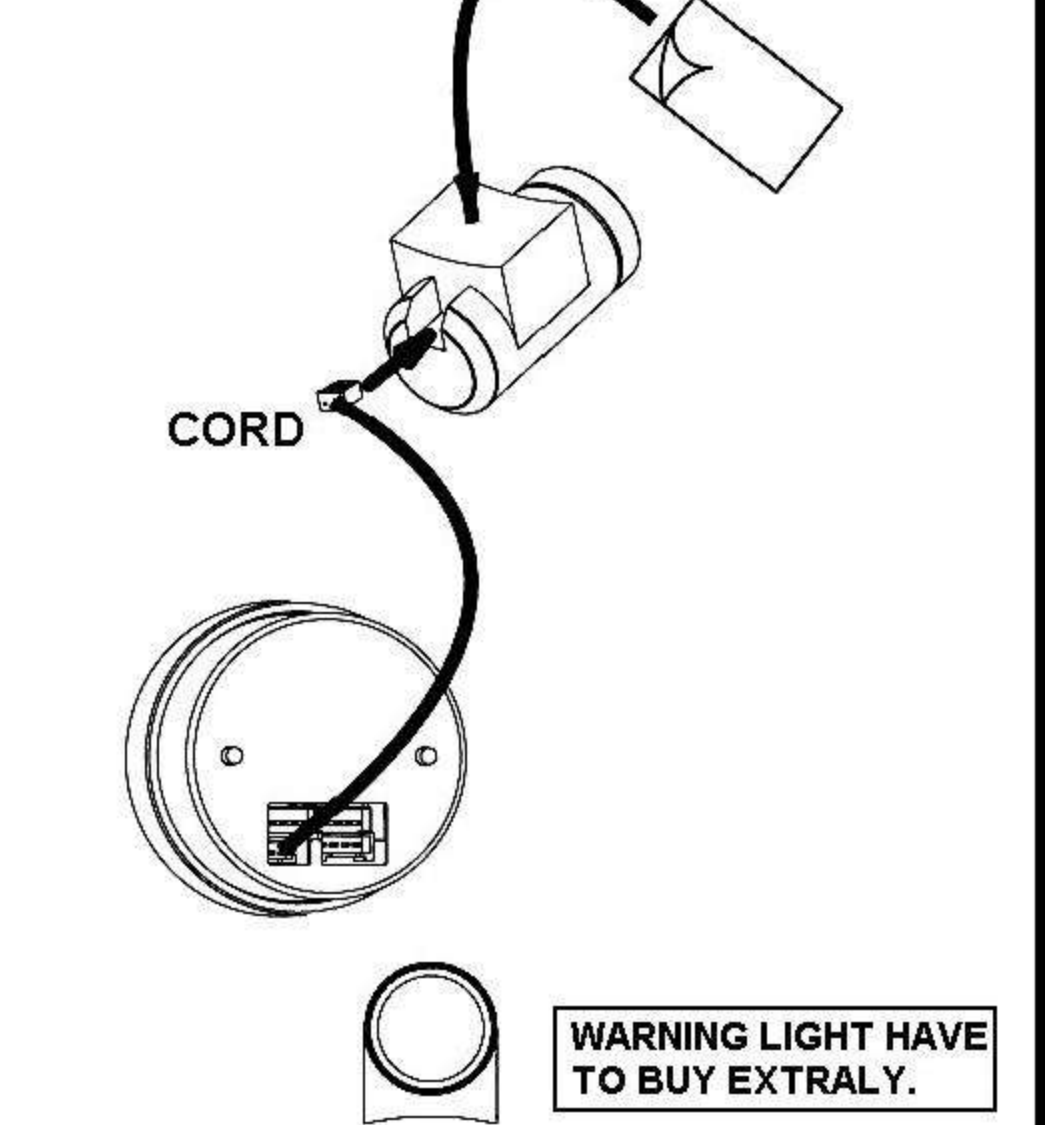


RED - BATTERY (+).
BLACK - ENGINE GROUND.
WHITE - IGNITION SWITCH 12V+
ORANGE - DIMMER / +12V TO DIMMER
CONNECT TO HEADLIGHT TO ACTIVATE.

2

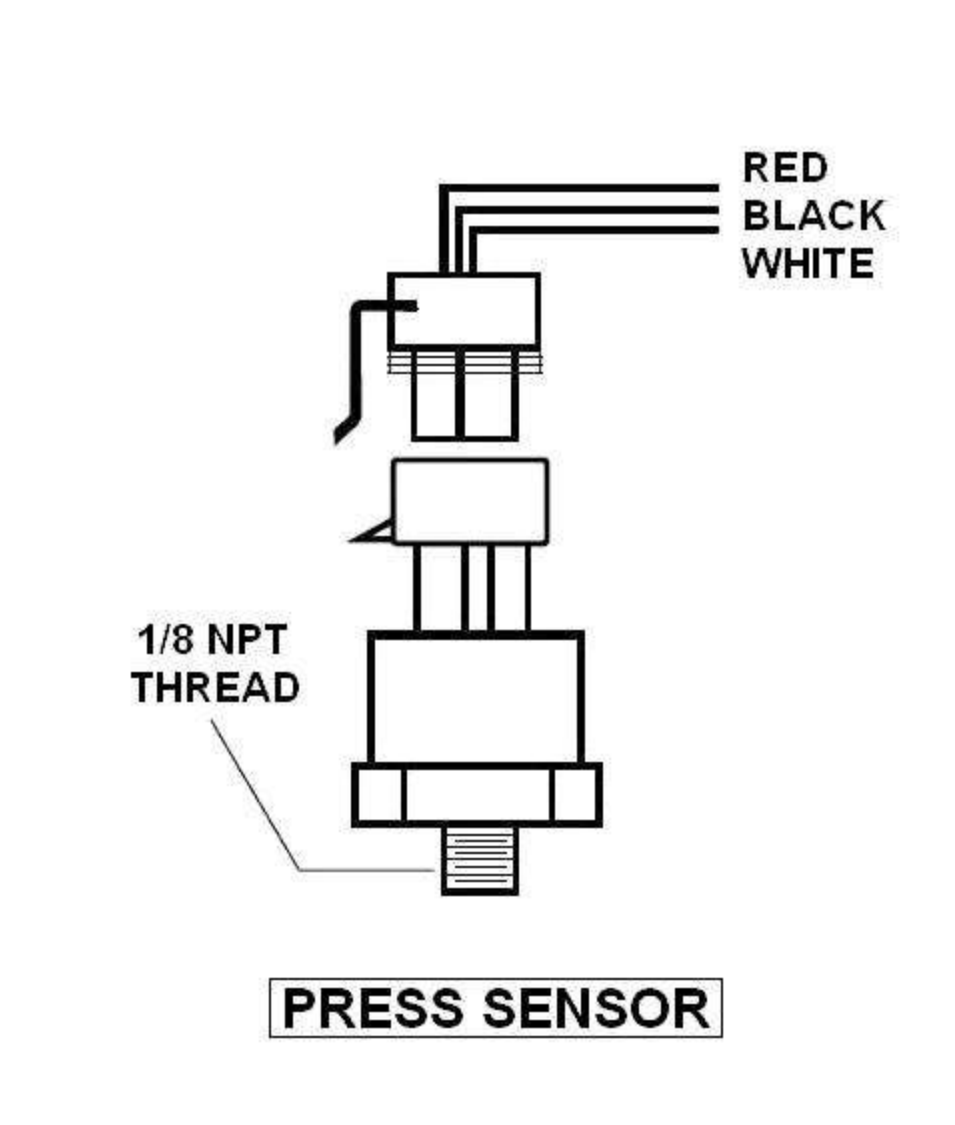


3 **DOUBLE-SIDED TYPE**

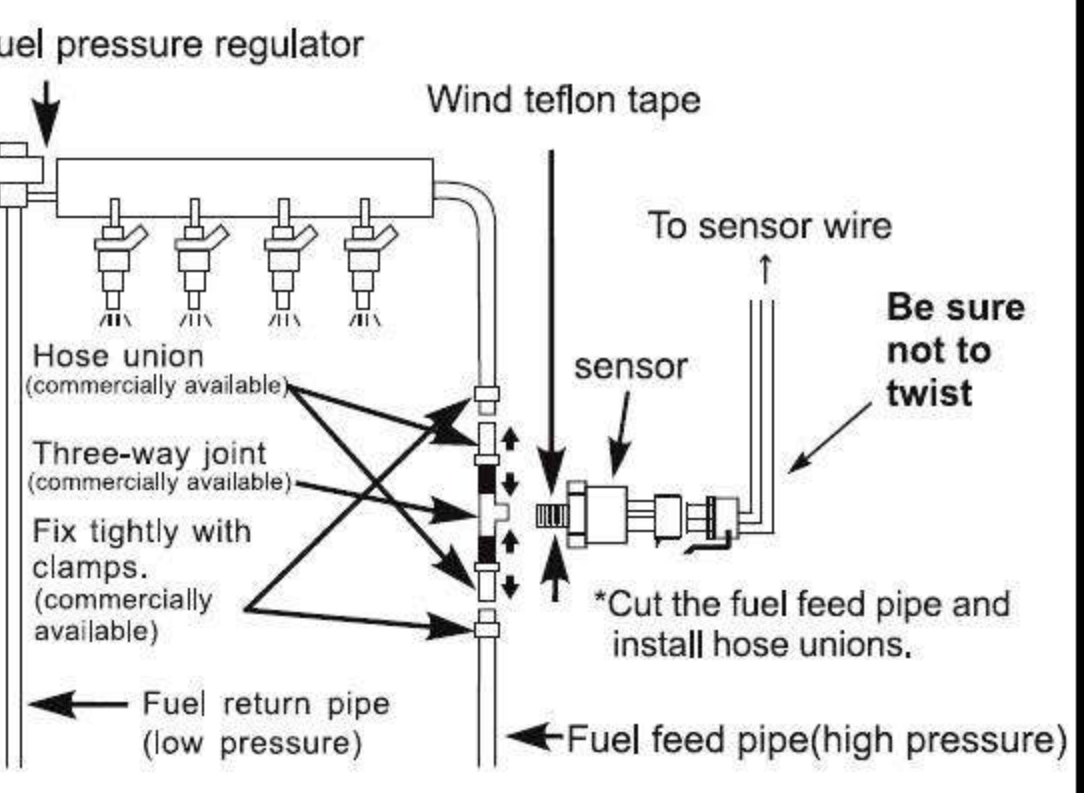


WARNING LIGHT HAVE TO BUY EXTRALY.

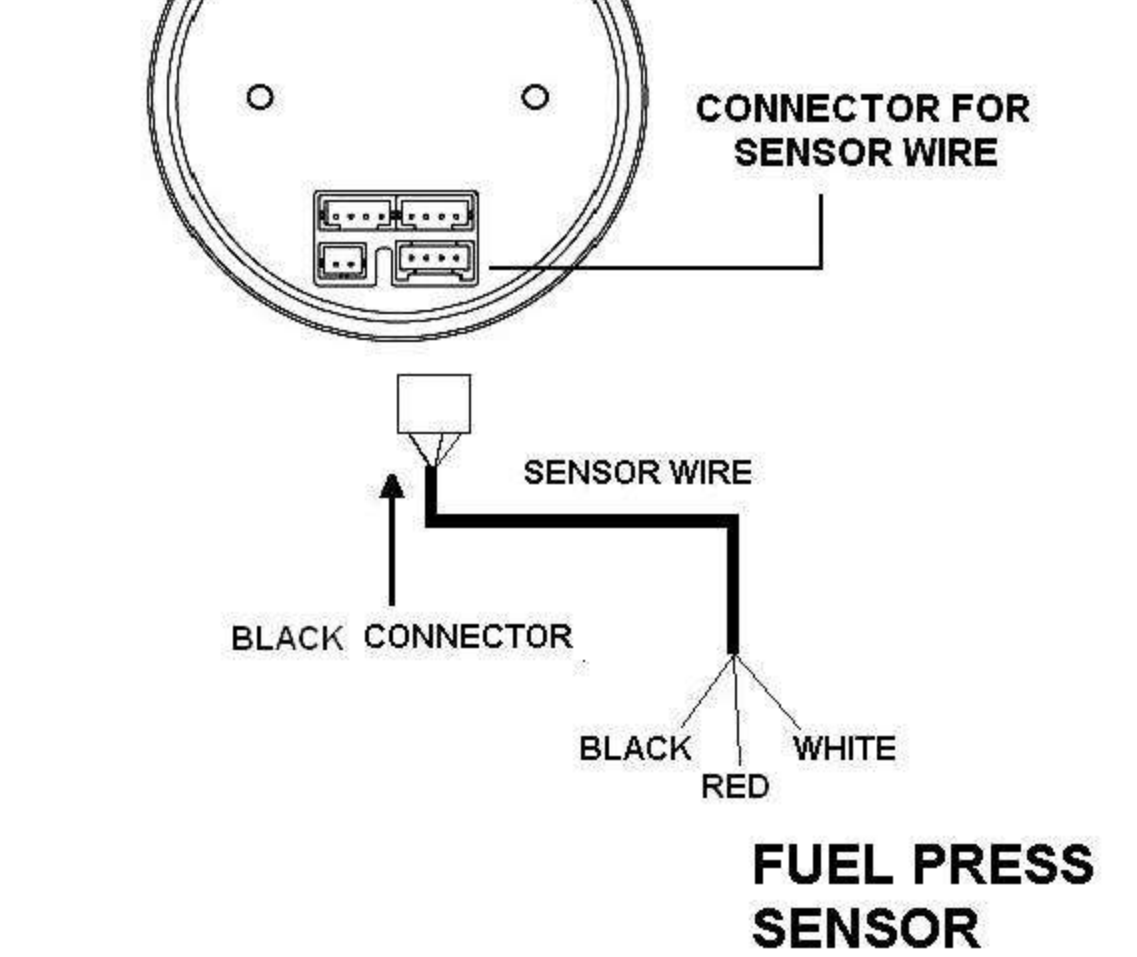
4



5

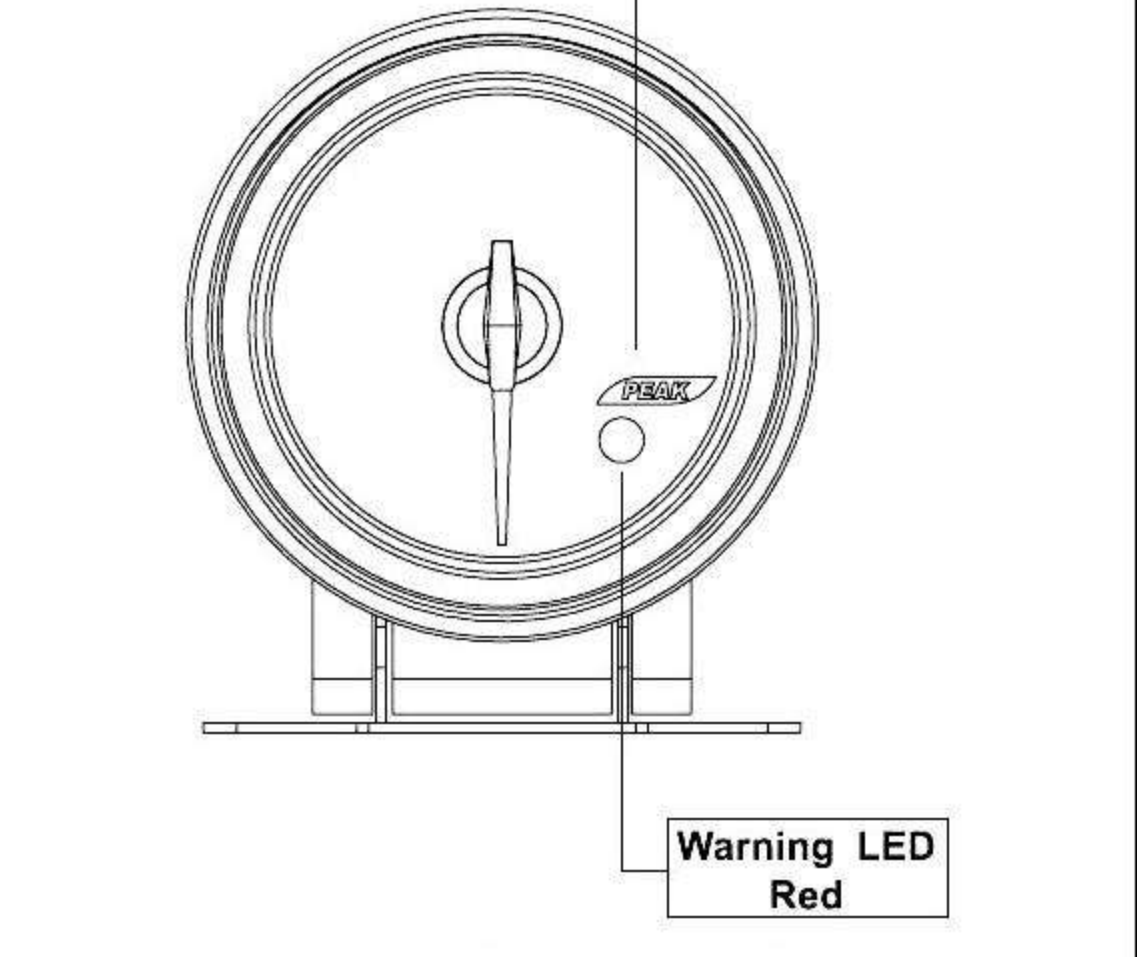


6

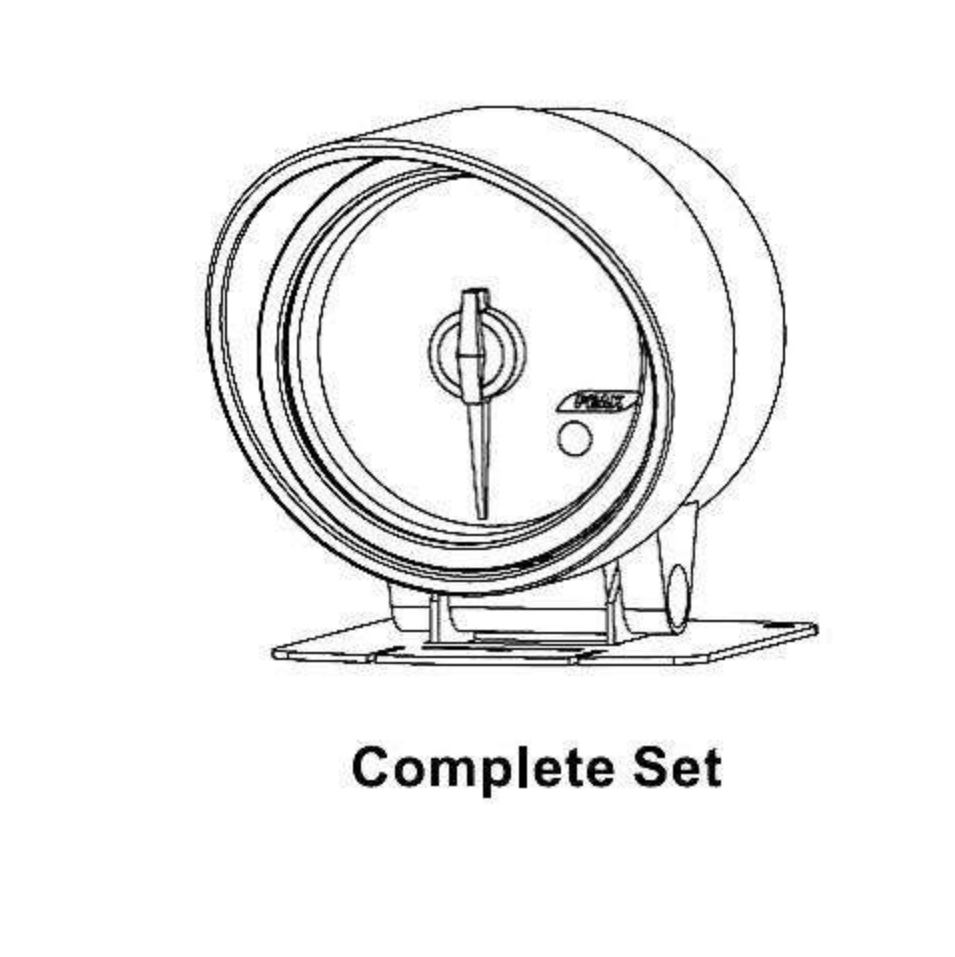


FUEL PRESS SENSOR

7



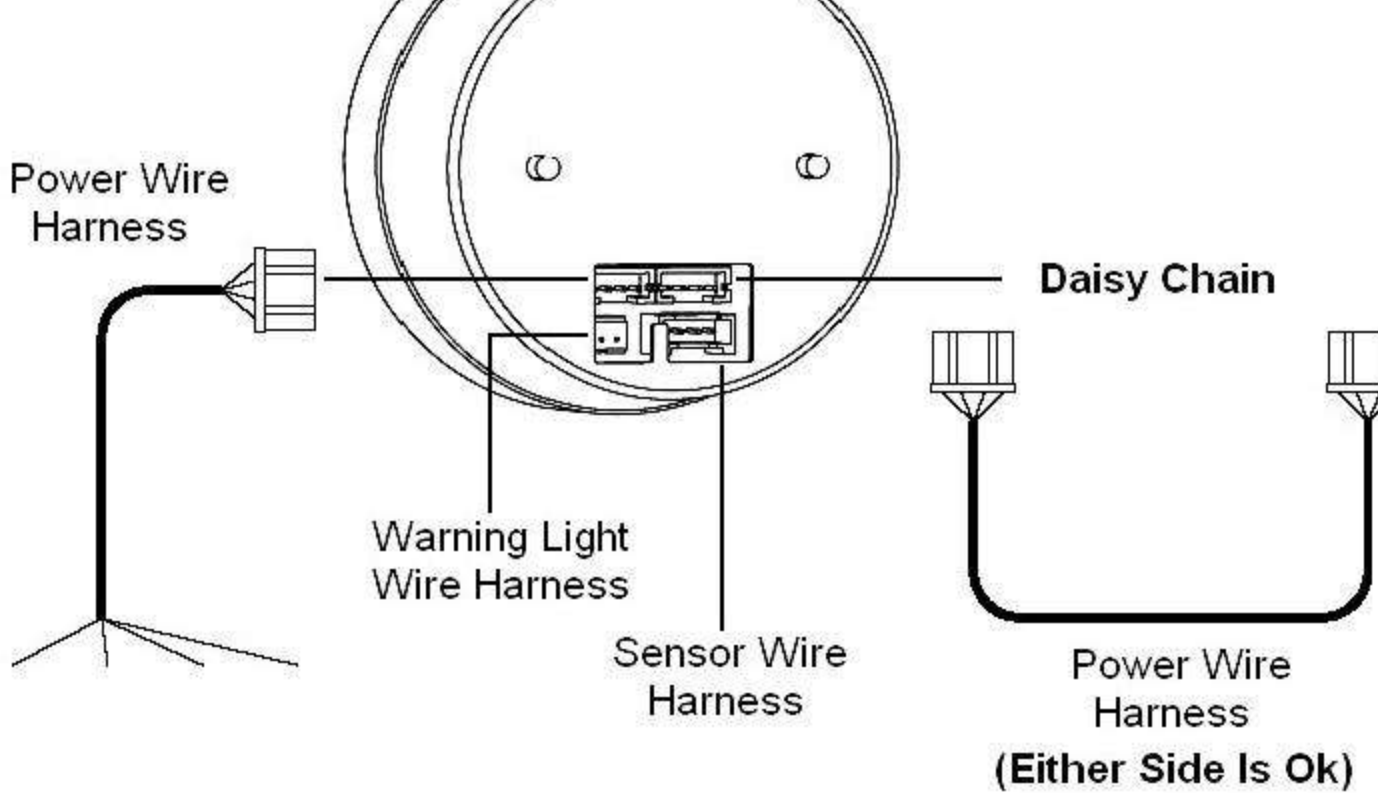
8



Exhaust Gas Temperature Gauge

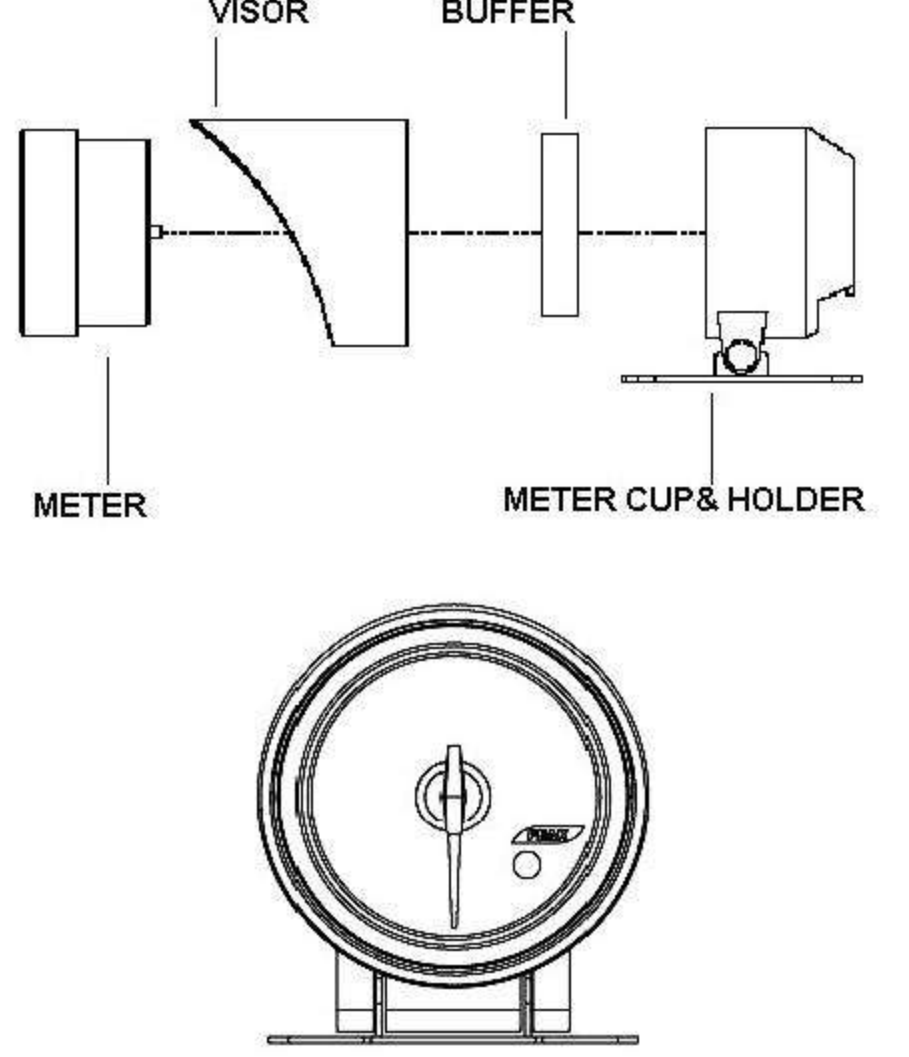
OPENING CEREMONY

1 **BACK VIEW**

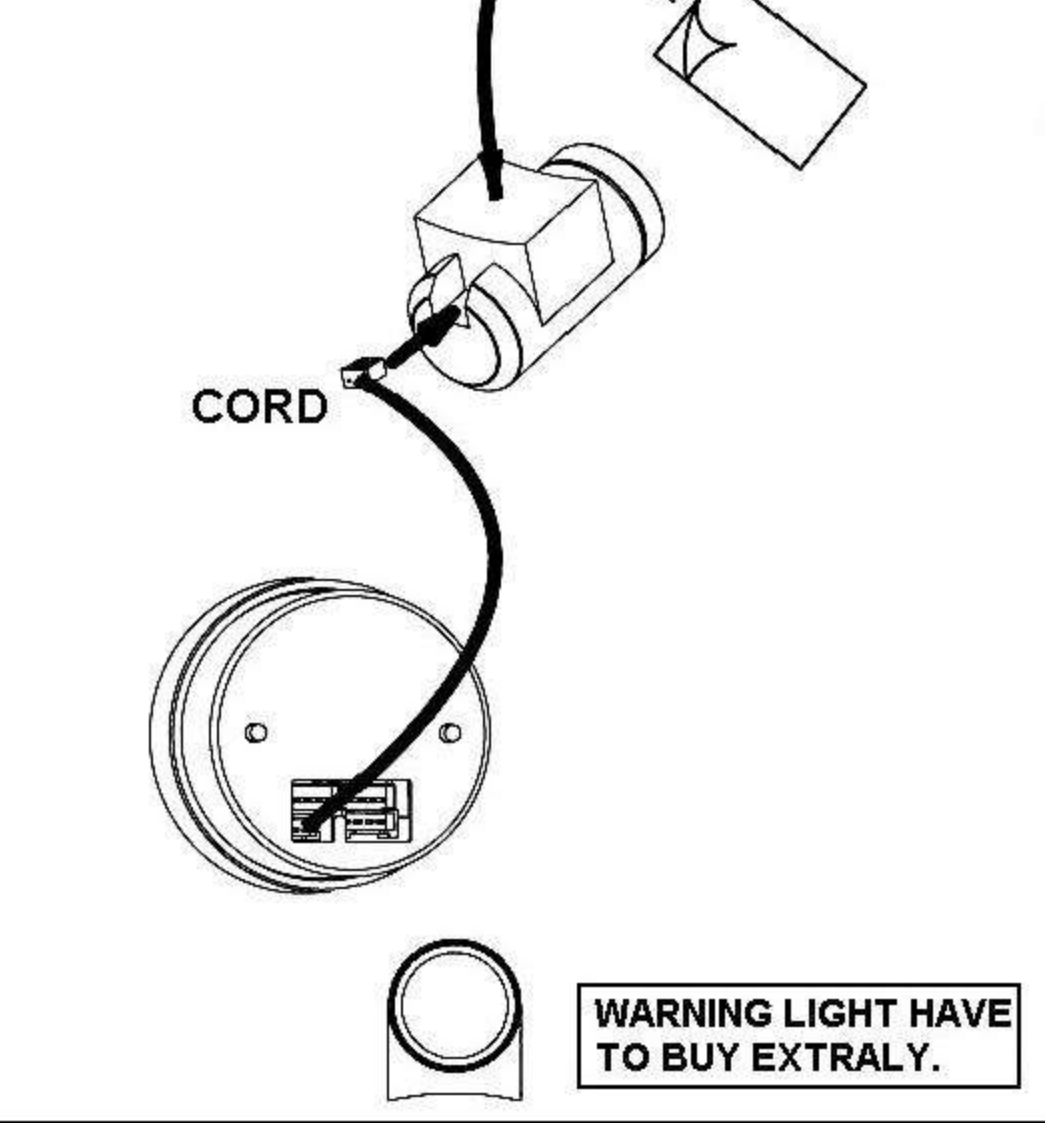


RED - BATTERY (+).
BLACK - ENGINE GROUND.
WHITE - IGNITION SWITCH 12V+
ORANGE - DIMMER / +12V TO DIMMER
CONNECT TO HEADLIGHT TO ACTIVATE.

2

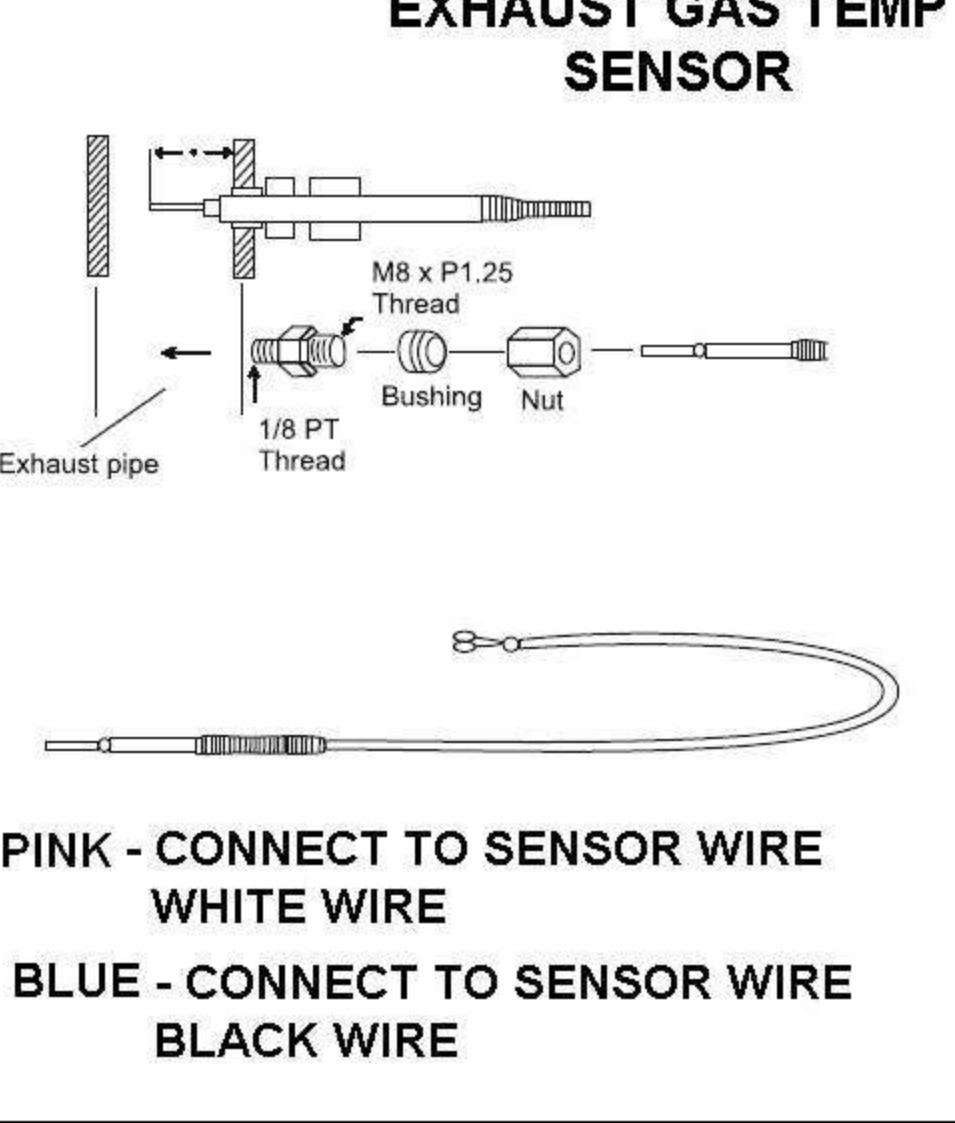


3 **DOUBLE-SIDED TYPE**



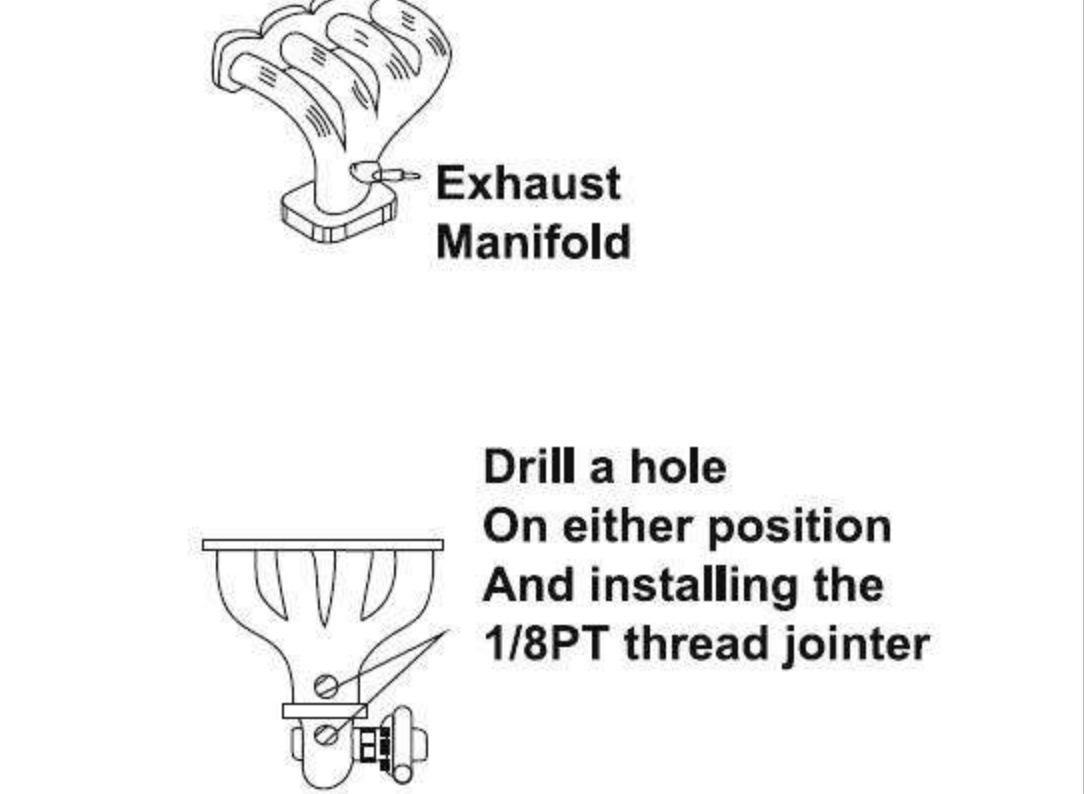
WARNING LIGHT HAVE TO BUY EXTRALY.

4

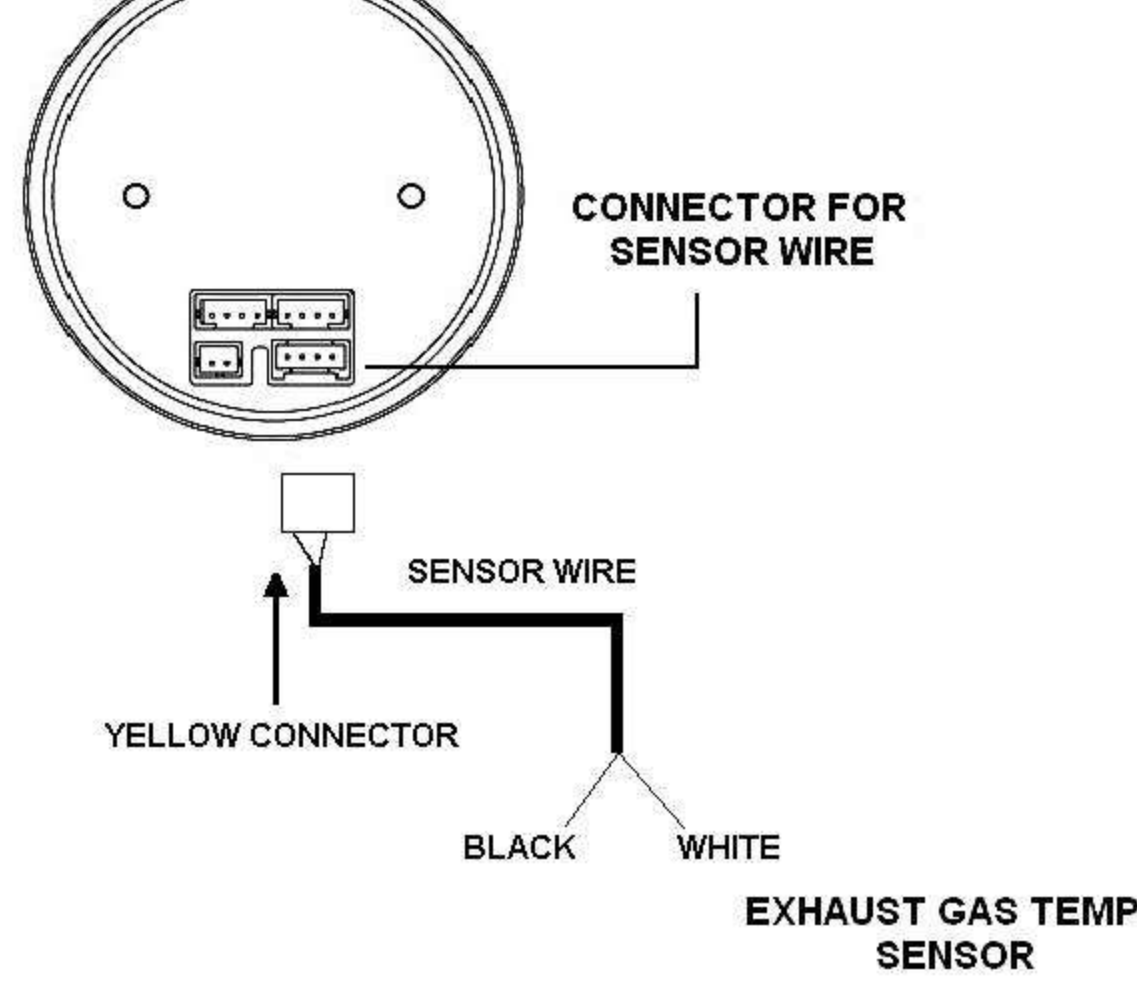


PINK - CONNECT TO SENSOR WIRE
WHITE WIRE
BLUE - CONNECT TO SENSOR WIRE
BLACK WIRE

5

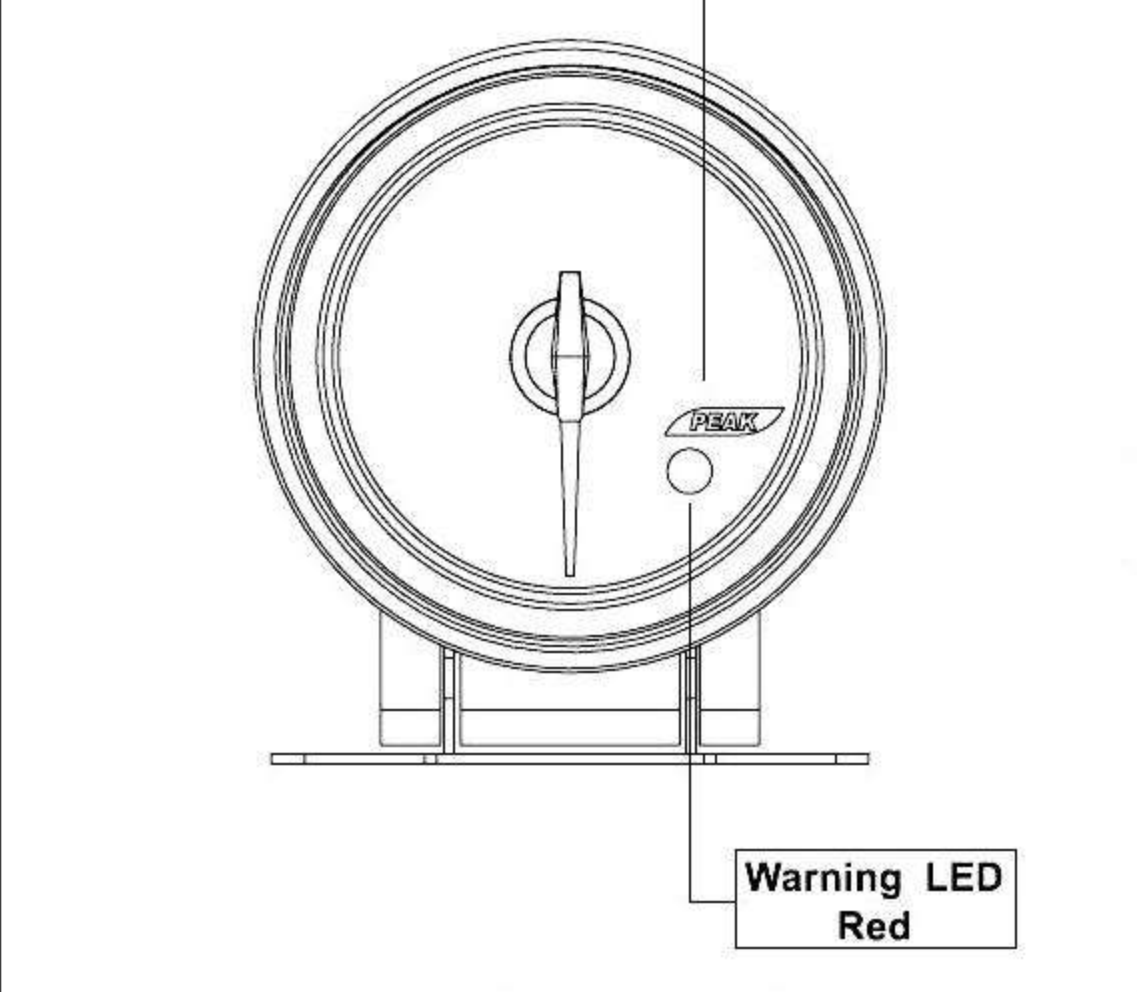


6

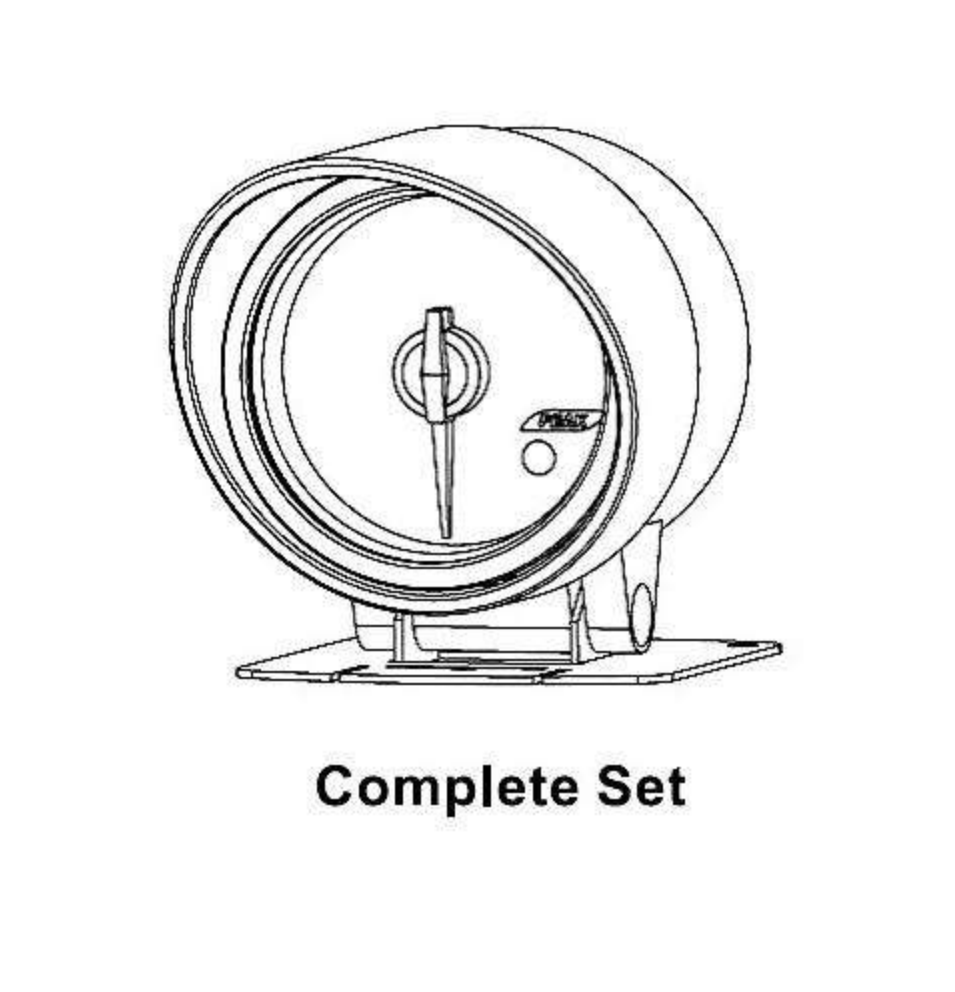


EXHAUST GAS TEMP SENSOR

7



8



Note: The remote-controller have to buy extraly.