

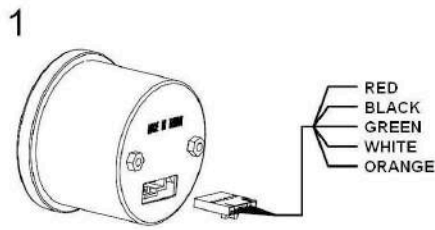
## ELECTRICAL GAUGES

SMOKE LENS SERIES BLUE & WHITE LED DISPLAY

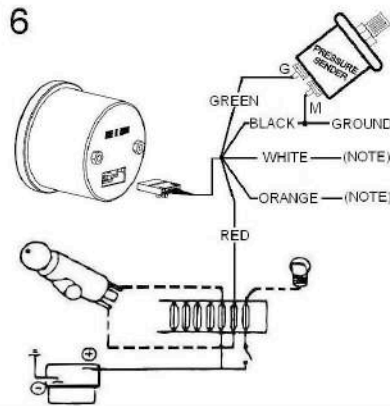
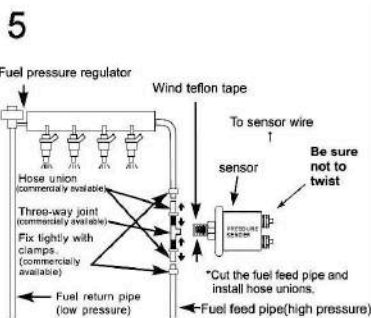
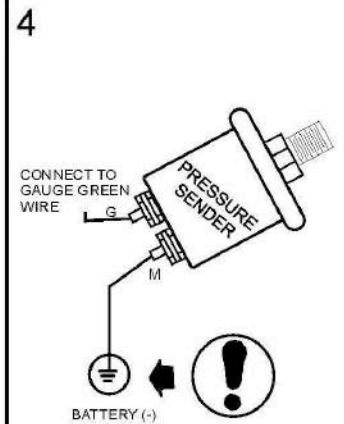
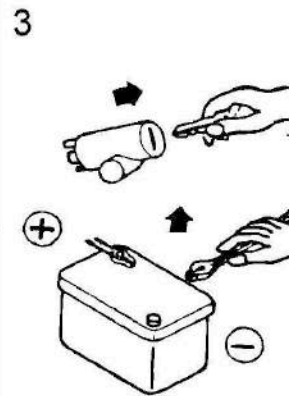
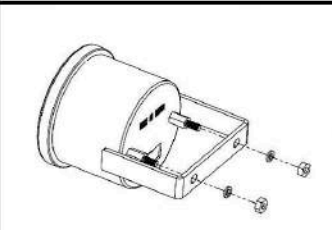
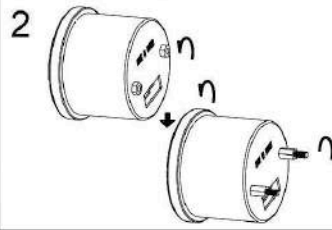
(270° SCALE)

### Fuel Press Gauge

#### OPENING CEREMONY

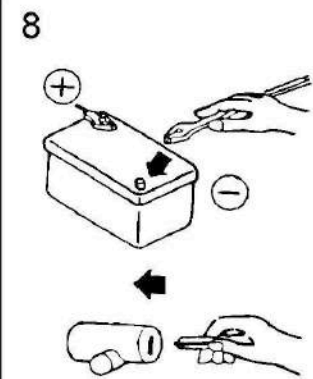


RED - TO IGNITION SWITCH 12V(+)  
 BLACK - BATTERY(-)  
 GREEN - FUEL PRESS SENSOR  
 WHITE - NOTE  
 ORANGE - NOTE



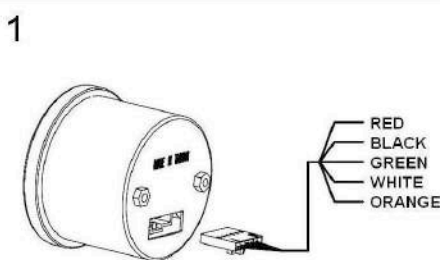
**NOTE: GAUGE REQUIRE FUNCTION**

REQUIRE FUNCTION		INSTALLATION
DAY TIME	NIGHT TIME	
WHITE SCALE	WHITE SCALE	WHITE WIRE → connect to ACC. ORANGE WIRE → NO connect.
BLUE SCALE	BLUE SCALE	WHITE WIRE → NO connect. ORANGE WIRE → connect to ACC.
WHITE SCALE	BLUE SCALE	WHITE WIRE → connect to ACC. ORANGE WIRE → connect to PARKING LAMP.
BLUE SCALE	WHITE SCALE	WHITE WIRE → connect to PARKING LAMP. ORANGE WIRE → connect to ACC.

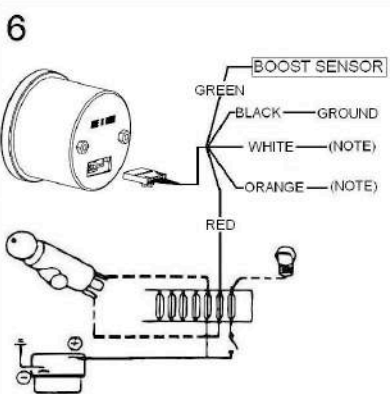
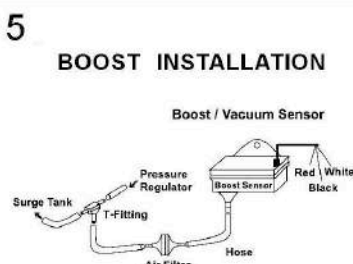
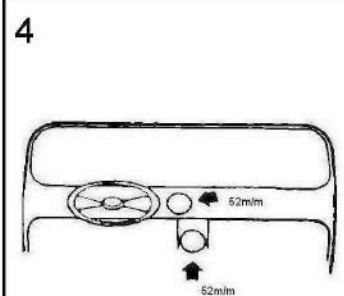
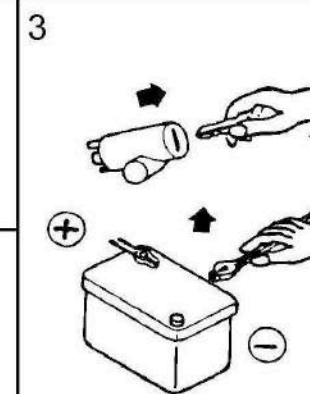
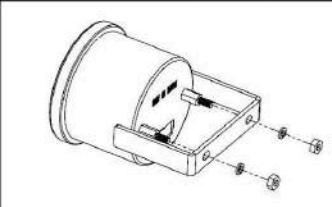
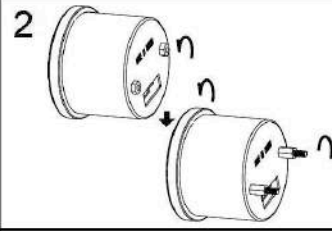


### Boost / Vacuum Gauge

#### OPENING CEREMONY

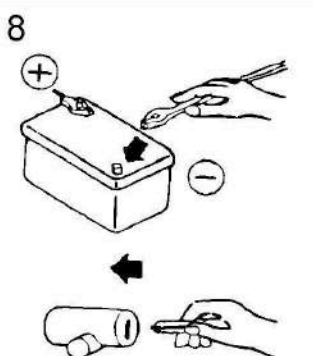


RED - TO IGNITION SWITCH 12V(+)  
 BLACK - BATTERY(-)  
 GREEN - BOOST SENSOR  
 WHITE - NOTE  
 ORANGE - NOTE



**NOTE: GAUGE REQUIRE FUNCTION**

REQUIRE FUNCTION		INSTALLATION
DAY TIME	NIGHT TIME	
WHITE SCALE	WHITE SCALE	WHITE WIRE → connect to ACC. ORANGE WIRE → NO connect.
BLUE SCALE	BLUE SCALE	WHITE WIRE → NO connect. ORANGE WIRE → connect to ACC.
WHITE SCALE	BLUE SCALE	WHITE WIRE → connect to ACC. ORANGE WIRE → connect to PARKING LAMP.
BLUE SCALE	WHITE SCALE	WHITE WIRE → connect to PARKING LAMP. ORANGE WIRE → connect to ACC.



RED - TO IGNITION SWITCH 12V(+)  
 BLACK - BATTERY(-)  
 WHITE - GREEN WIRE FROM GAUGE