

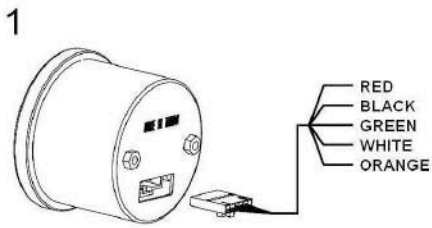
## ELECTRICAL GAUGES

SMOKE LENS SERIES BLUE & WHITE LED DISPLAY

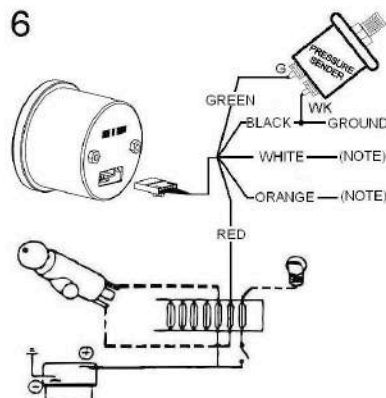
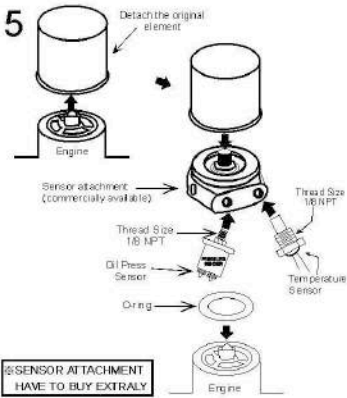
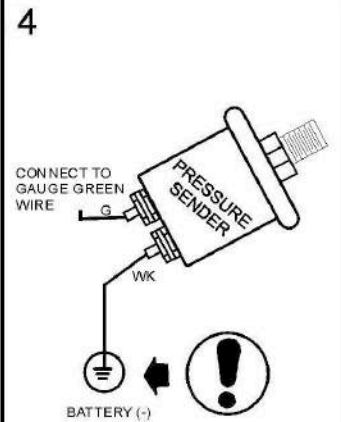
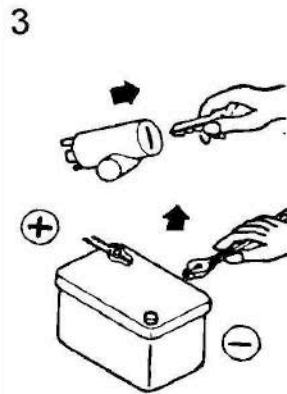
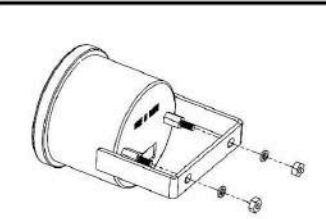
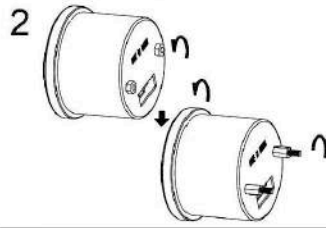
(270° SCALE)

### Oil Pressure Gauge

#### OPENING CEREMONY

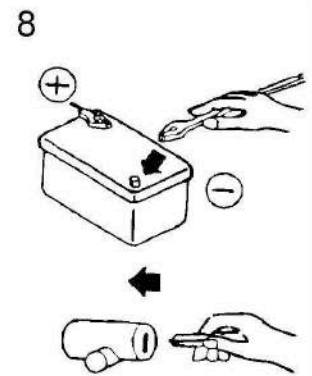


RED - TO IGNITION SWITCH 12V(+)  
 BLACK - BATTERY(-)  
 GREEN - OIL PRESS SENSOR  
 WHITE - NOTE  
 ORANGE - NOTE



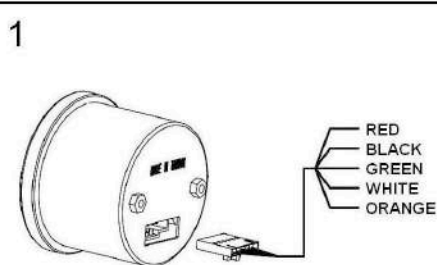
NOTE:GAUGE REQUIRE FUNCTION

REQUIRE FUNCTION	DAY TIME	NIGHT TIME	INSTALLATION
WHITE SCALE	WHITE SCALE	WHITE WIRE → connect to ACC. ORANGE WIRE → NO connect.	
BLUE SCALE	BLUE SCALE	WHITE WIRE → NO connect. ORANGE WIRE → connect to ACC.	
WHITE SCALE	BLUE SCALE	WHITE WIRE → connect to ACC. ORANGE WIRE → connect to PARKING LAMP.	
BLUE SCALE	WHITE SCALE	WHITE WIRE → connect to PARKING LAMP. ORANGE WIRE → connect to ACC.	

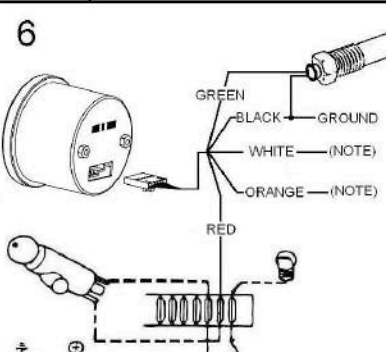
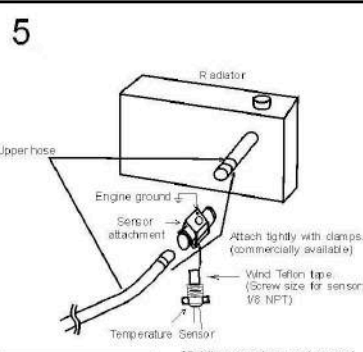
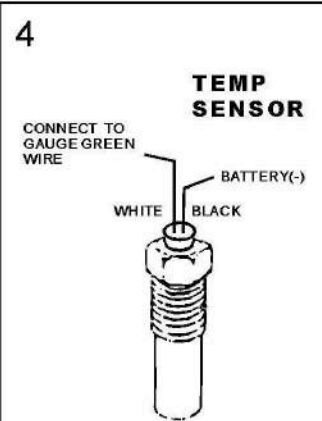
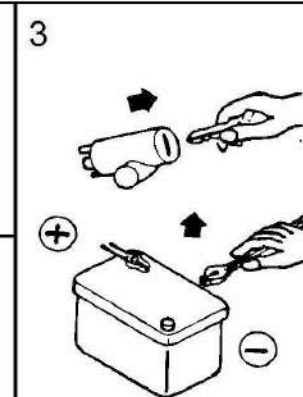
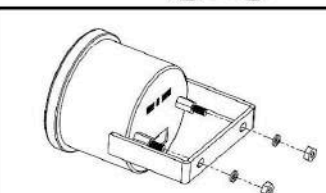
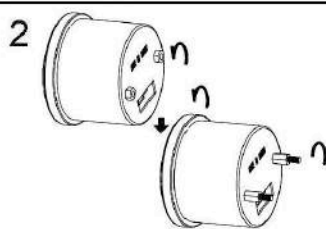


### Oil / Water Temperature Gauge

#### OPENING CEREMONY



RED - TO IGNITION SWITCH 12V(+)  
 BLACK - BATTERY(-)  
 GREEN - TEMP SENSOR  
 WHITE - NOTE  
 ORANGE - NOTE



NOTE:GAUGE REQUIRE FUNCTION

REQUIRE FUNCTION	DAY TIME	NIGHT TIME	INSTALLATION
WHITE SCALE	WHITE SCALE	WHITE WIRE → connect to ACC. ORANGE WIRE → NO connect.	
BLUE SCALE	BLUE SCALE	WHITE WIRE → NO connect. ORANGE WIRE → connect to ACC.	
WHITE SCALE	BLUE SCALE	WHITE WIRE → connect to ACC. ORANGE WIRE → connect to PARKING LAMP.	
BLUE SCALE	WHITE SCALE	WHITE WIRE → connect to PARKING LAMP. ORANGE WIRE → connect to ACC.	

