

ELECTRICAL GAUGES

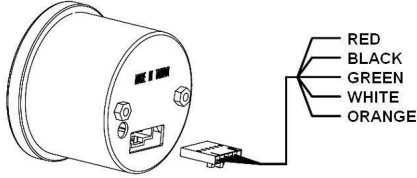
SMOKE LENS SERIES GREEN & WHITE LED DISPLAY

(270° SCALE)

Tachometer

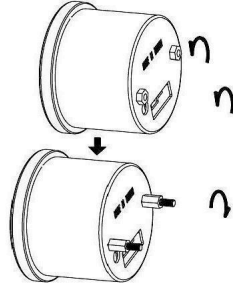
OPENING CEREMONY

1

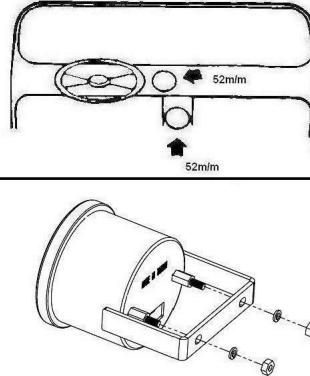


RED - TO IGNITION SWITCH 12V(+)
 BLACK - BATTERY (-)
 GREEN - ON STANDARD IGNITION GREEN WIRE ATTACHES TO COIL NEGATIVE (-)
 WHITE - NOTE
 ORANGE - NOTE

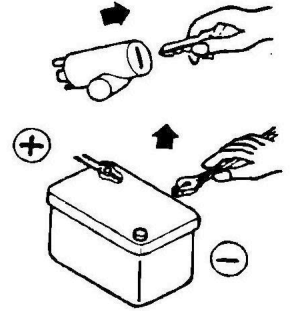
2



3

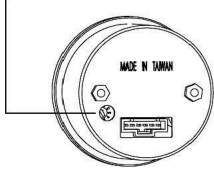


4



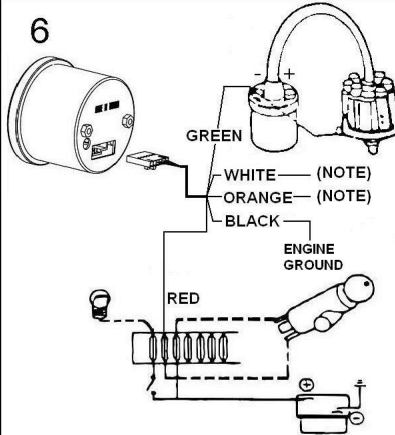
5

CYLINDER SELECTION SWITCH



1. Selecting Number of Cylinders:
 Setting the tachometer for 4, 6 or 8 (4, 6 or 8) cylinder operation is achieved simply by sliding the switch, located on back of the tachometer body, to coincide with the appropriate number of cylinders of the engine.
 2. Switch position:
 0=10 cylinders, 1=1 cylinders, 2= 2 cylinders
 3=3 cylinders, 4=4 cylinders, 5=cylinders,.....
 3. When setting the number of cylinders for a rotary engine, set the cylinders number selection to 4 cylinders for 2 rotors, and to 6 cylinders for 3 rotors.
 4. The red or black wire MUST be removed before adjustment to the cylinder setting is made from the cylinder selector switch.

6

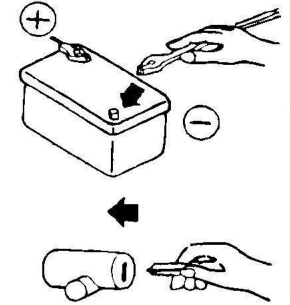


7

NOTE: GAUGE REQUIRE FUNCTION

REQUIRE FUNCTION		INSTALLATION
DAY TIME	NIGHT TIME	
WHITE SCALE	WHITE SCALE	WHITE WIRE → connect to ACC. ORANGE WIRE → NO connect.
GREEN SCALE	GREEN SCALE	WHITE WIRE → NO connect. ORANGE WIRE → connect to ACC.
WHITE SCALE	GREEN SCALE	WHITE WIRE → connect to PARKING LAMP. ORANGE WIRE → connect to ACC.
GREEN SCALE	WHITE SCALE	WHITE WIRE → connect to ACC. ORANGE WIRE → connect to PARKING LAMP.

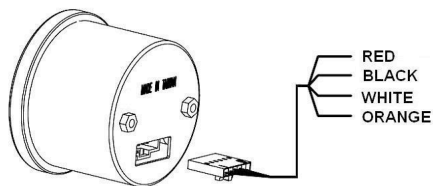
8



Voltmeter

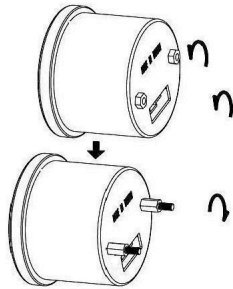
OPENING CEREMONY

1

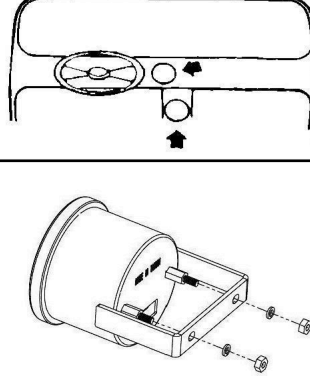


RED - TO IGNITION SWITCH 12V(+)
 BLACK - BATTERY (-)
 WHITE - NOTE
 ORANGE - NOTE

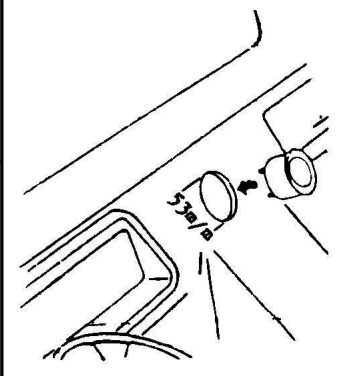
2



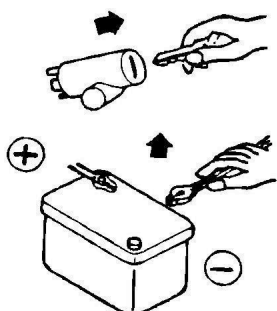
3



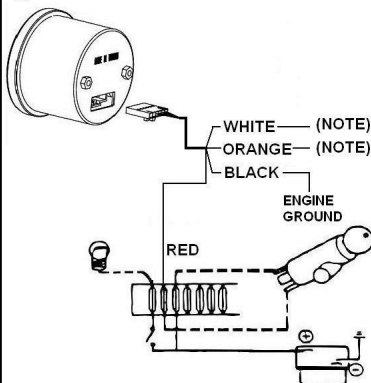
4



5



6



7

NOTE: GAUGE REQUIRE FUNCTION

REQUIRE FUNCTION		INSTALLATION
DAY TIME	NIGHT TIME	
WHITE SCALE	WHITE SCALE	WHITE WIRE → connect to ACC. ORANGE WIRE → NO connect.
GREEN SCALE	GREEN SCALE	WHITE WIRE → NO connect. ORANGE WIRE → connect to ACC.
WHITE SCALE	GREEN SCALE	WHITE WIRE → connect to PARKING LAMP. ORANGE WIRE → connect to ACC.
GREEN SCALE	WHITE SCALE	WHITE WIRE → connect to ACC. ORANGE WIRE → connect to PARKING LAMP.

8

