

# INSTALLATION INSTRUCTIONS

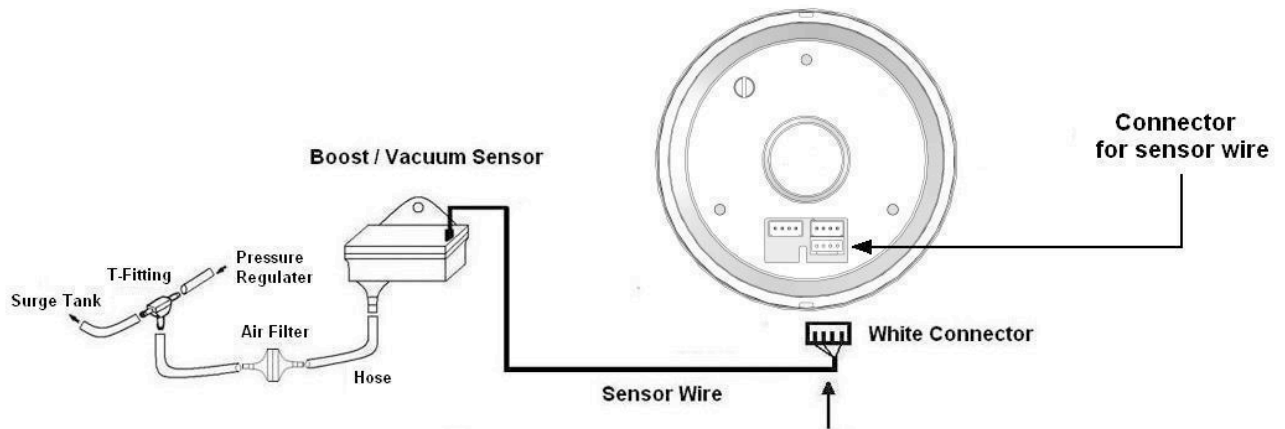
## 80m/m BOOST GAUGE W/WARNING

### SMOKE LENS SERIES

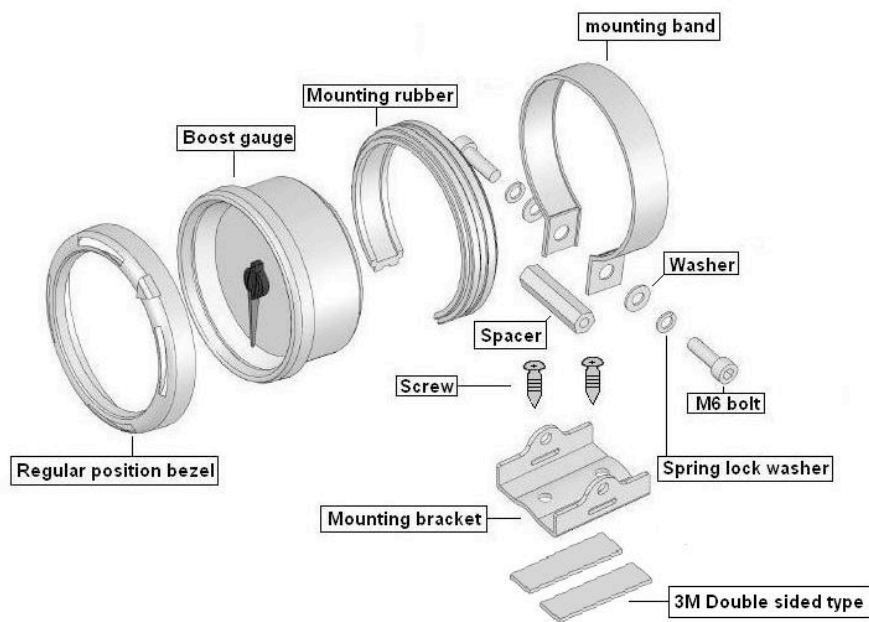
STEPMOTOR MOVMENT

WHITE LED DISPLAY

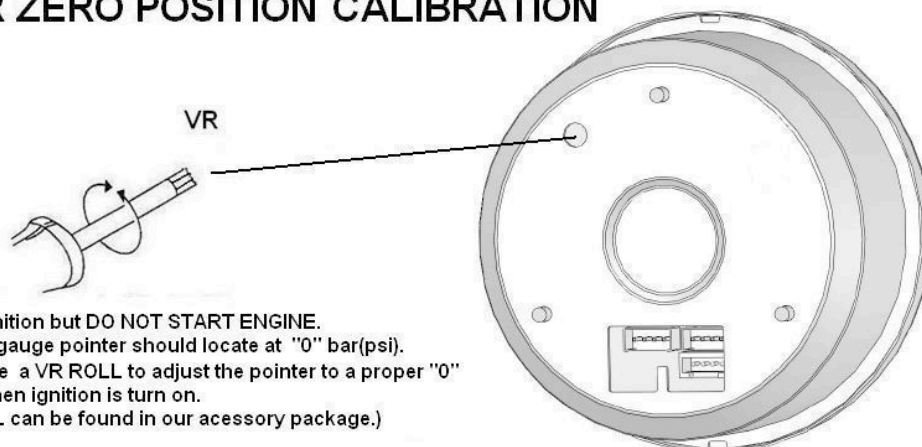
#### 4 BOOST SENSOR INSTALLATION



#### 5 BOOST GAUGE ASSEMBLY



#### 6 POINTER ZERO POSITION CALIBRATION



Turn on ignition but **DO NOT START ENGINE**.  
The boost gauge pointer should locate at "0" bar(psi).  
You can use a VR ROLL to adjust the pointer to a proper "0"  
position,when ignition is turn on.  
(A VR ROLL can be found in our accessory package.)

# INSTALLATION INSTRUCTIONS

## 80m/m BOOST GAUGE W/WARNING

### SMOKE LENS SERIES

STEPMOTOR MOVMENT

WHITE LED DISPLAY

## 1 BEFORE YOU START

1. Read instructions completely before installation.
2. Install Boost Gauge only when engine is cool and ignition is off.
3. Make sure all necessary tools, materials, and parts are on hand.
4. Disconnect negative (-) battery cable before installing Boost Gauge.
5. Make sure mounting location does not impair visibility of interfere with driving. Also check behind the mounting location for any wiring or components before drilling.
6. When connecting electrical wire, install crimp terminals and make wire splices as needed. ALWAYS insulate wire splices with electrical tape to prevent shorting.
7. Follow all necessary safety procedures for protection.

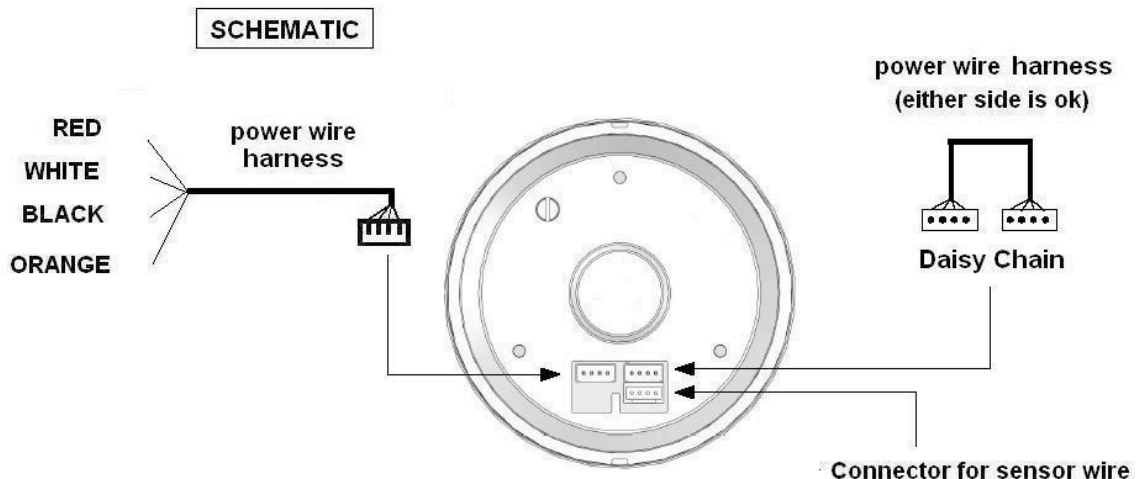
NOTE: It may be necessary to reprogram your radio, clock, etc. after reconnecting the battery.

## 2 MOUNTING

You can mount your boost gauge on or under the dashboard or on the center console according to your personal choice. Determine best position for good visibility before drilling screw holes.

## 3 BOOST GAUGE CONNECTION

1. Connect power wire (RED) to +12V battery wire.
2. Connect power wire (WHITE) to a switched +12V circuit at fuse box, or splice into any vehicle harness wire which is energized ONLY when ignition key is ON (RUN) position.
3. Connect power wire (BLACK) to ground, negative (-) battery terminal or to a good chassis ground.
4. Connect power wire (ORANGE) to panel lights circuit at fuse box, or splice into any vehicle harness wire connected to the panel lights circuit.
5. Secure lead wires along their route to prevent damage from sharp edges, moving parts or hot engine components.
6. Turn on ignition. DO NOT START ENGINE Boost Gauge pointer should rotate to "0" when ignition is turned on.
7. Make sure Boost Gauge pointer operation is smooth and even.



\*\*The warning is boost exceed 1.5Bar(21Psi).

