

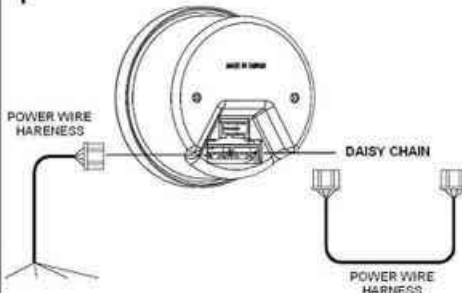
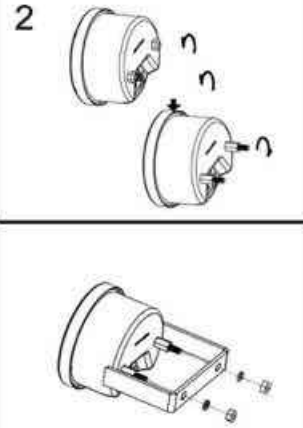
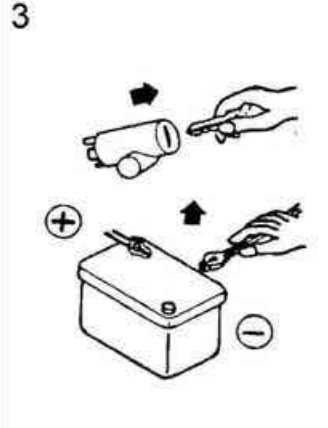
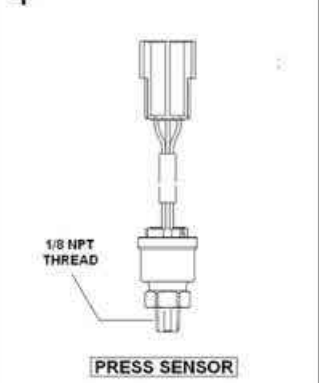
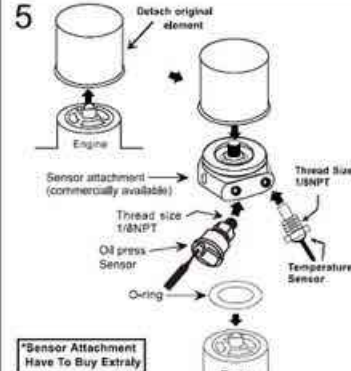
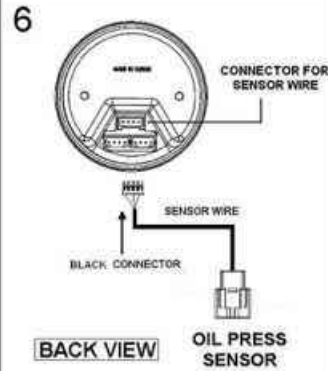
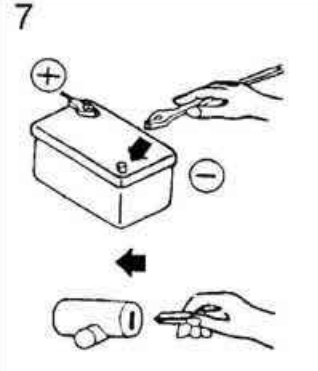
# INSTALLATION INSTRUCTIONS

## ELECTRICAL GAUGES W/ OUTER 30 LED

### 52mm DIGITAL OLED DISPLAY SERIES

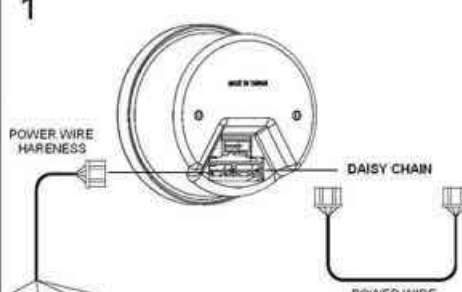
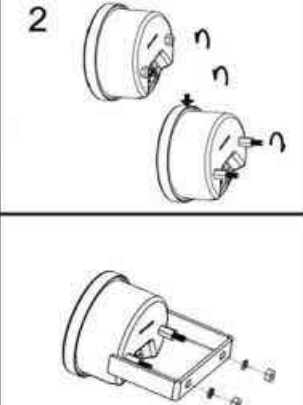
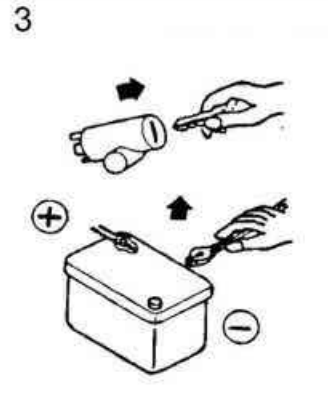
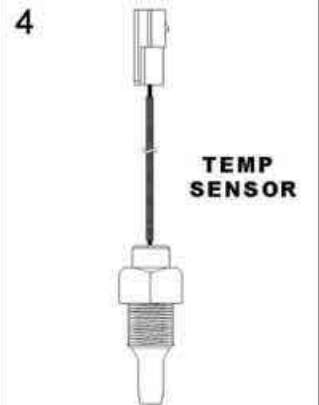
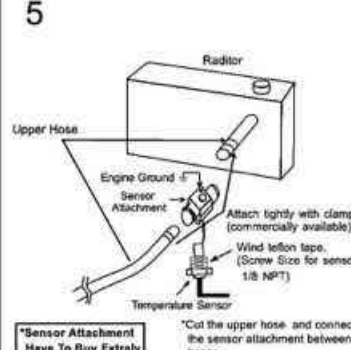
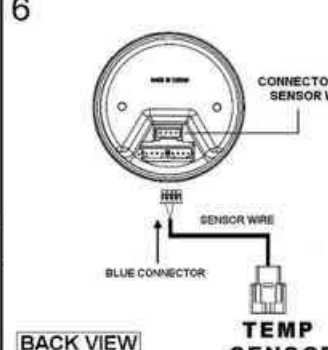
## Oil Pressure Gauge

DIGITAL OIL PRESS GAUGE DISPLAY RANGE:  
0 ~ 150 PSI OR 0 ~ 10 BAR

<p><b>1</b></p>  <p>POWER WIRE HARNESS</p> <p>DAISY CHAIN</p> <p>POWER WIRE HARNESS (EITHER SIDE IS OK)</p> <p>RED - BATTERY (+) BLACK - ENGINE GROUND WHITE - IGNITION SWITCH 12V+ ORANGE - DIMMER / +12V TO DIMMER CONNECT TO HEADLIGHT TO ACTIVATE</p> <p><b>BACK VIEW</b></p>	<p><b>2</b></p> 	<p><b>3</b></p> 	<p><b>4</b></p>  <p>1/8 NPT THREAD</p> <p><b>PRESS SENSOR</b></p>
<p><b>5</b></p>  <p>Detach original element</p> <p>Engine</p> <p>Sensor attachment (commercially available)</p> <p>Thread size 1/8NPT</p> <p>Oil Press Sensor</p> <p>Temperature Sensor</p> <p>Curing</p> <p>Engine</p> <p>*Sensor Attachment Have To Buy Extraly</p>	<p><b>6</b></p>  <p>CONNECTOR FOR SENSOR WIRE</p> <p>SENSOR WIRE</p> <p>BLACK CONNECTOR</p> <p><b>OIL PRESS SENSOR</b></p> <p><b>BACK VIEW</b></p>	<p><b>7</b></p> 	

## Oil / Water Temperature Gauge

DIGITAL TEMP GAUGE DISPLAY RANGE :  
100 ~ 300 °F OR 20 ~ 150 °C

<p><b>1</b></p>  <p>POWER WIRE HARNESS</p> <p>DAISY CHAIN</p> <p>POWER WIRE HARNESS (EITHER SIDE IS OK)</p> <p>RED - BATTERY (+) BLACK - ENGINE GROUND WHITE - IGNITION SWITCH 12V+ ORANGE - DIMMER / +12V TO DIMMER CONNECT TO HEADLIGHT TO ACTIVATE</p> <p><b>BACK VIEW</b></p>	<p><b>2</b></p> 	<p><b>3</b></p> 	<p><b>4</b></p>  <p><b>TEMP SENSOR</b></p>
<p><b>5</b></p>  <p>Radiator</p> <p>Upper Hose</p> <p>Engine Ground</p> <p>Sensor Attachment</p> <p>Attach tightly with clamps (commercially available)</p> <p>Wind lefton tape. (Screw Size for sensor 1/8 NPT)</p> <p>Temperature Sensor</p> <p>*Cut the upper hose and connect the sensor attachment between hoses.</p> <p>*Sensor Attachment Have To Buy Extraly</p>	<p><b>6</b></p>  <p>CONNECTOR FOR SENSOR WIRE</p> <p>SENSOR WIRE</p> <p>BLUE CONNECTOR</p> <p><b>TEMP SENSOR</b></p> <p><b>BACK VIEW</b></p>	<p><b>7</b></p> 