

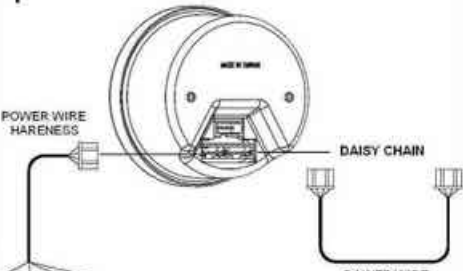
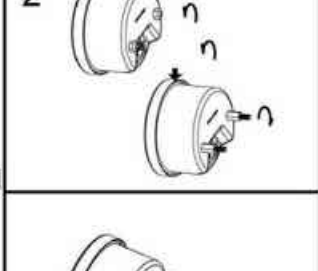
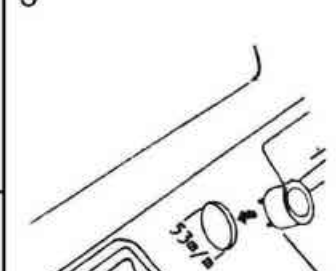
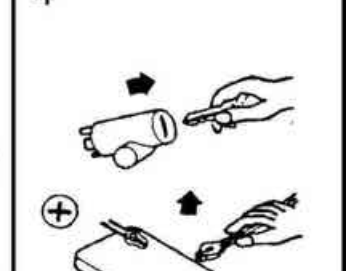
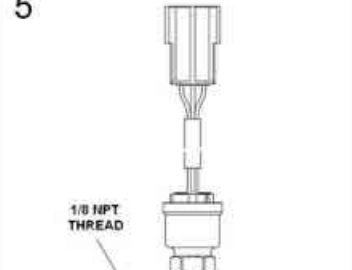
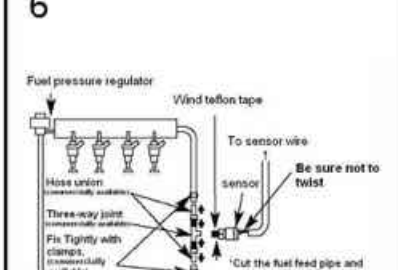
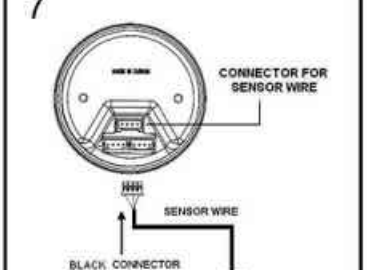
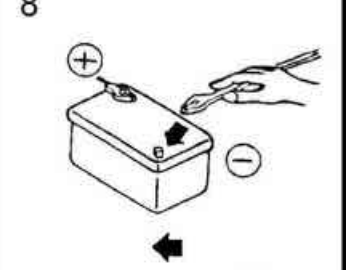
INSTALLATION INSTRUCTIONS

ELECTRICAL GAUGES W/ OUTER 30 LED

52mm DIGITAL OLED DISPLAY SERIES

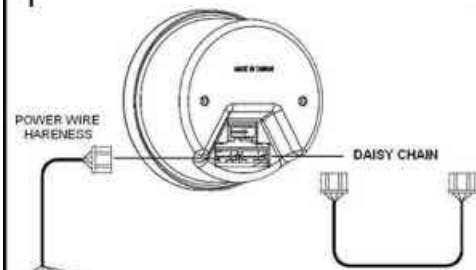
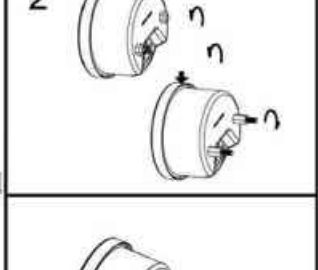
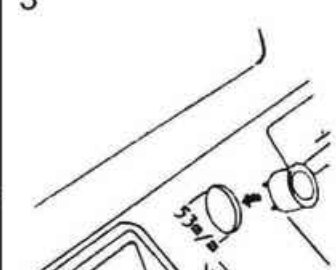
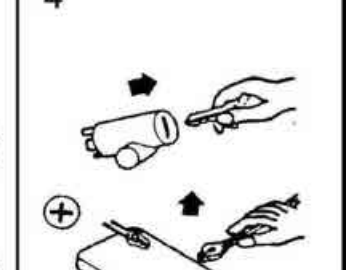
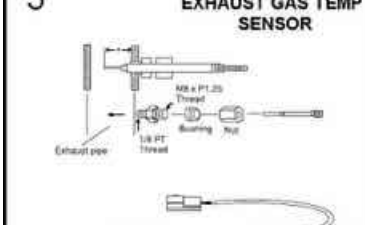
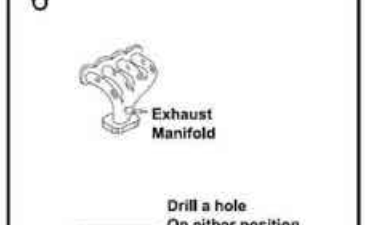
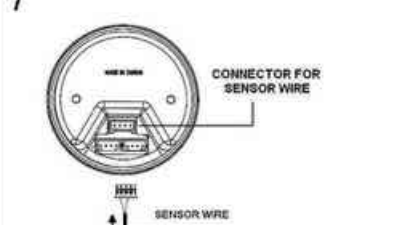
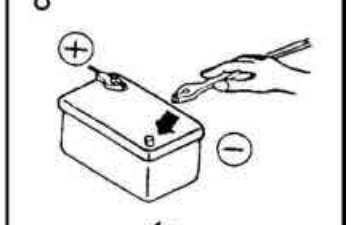
Fuel Press Gauge

DIGITAL FUEL PRESS GAUGE DISPLAY RANGE:
0 ~ 100 PSI OR 0 ~ 7 BAR

<p>1</p>  <p>POWER WIRE HARNESS</p> <p>DAISY CHAIN</p> <p>POWER WIRE HARNESS (EITHER SIDE IS OK)</p> <p>RED - BATTERY (+) BLACK - ENGINE GROUND WHITE - IGNITION SWITCH 12V+ ORANGE - DIMMER / +12V TO DIMMER CONNECT TO HEADLIGHT TO ACTIVATE</p> <p>BACK VIEW</p>	<p>2</p> 	<p>3</p>  <p>5/16"</p>	<p>4</p>  <p>+</p> <p>-</p>
<p>5</p>  <p>1/8 NPT THREAD</p> <p>PRESS SENSOR</p>	<p>6</p>  <p>Fuel pressure regulator</p> <p>Wind teflon tape</p> <p>Hose union</p> <p>Three-way joint</p> <p>Fit tightly with clamp, (commercially available)</p> <p>Fuel return pipe (low pressure)</p> <p>To sensor wire</p> <p>sensor</p> <p>Be sure not to twist</p> <p>Cut the fuel feed pipe and install hose unions.</p> <p>Fuel feed pipe (high pressure)</p>	<p>7</p>  <p>CONNECTOR FOR SENSOR WIRE</p> <p>SENSOR WIRE</p> <p>BLACK CONNECTOR</p> <p>FUEL PRESS SENSOR</p>	<p>8</p>  <p>+</p> <p>-</p>

Exhaust Gas Temp Gauge

DIGITAL EXHAUST GAS TEMP GAUGE DISPLAY
RANGE : 400 ~ 2200 °F OR 200 ~ 1200 °C

<p>1</p>  <p>POWER WIRE HARNESS</p> <p>DAISY CHAIN</p> <p>POWER WIRE HARNESS (EITHER SIDE IS OK)</p> <p>RED - BATTERY (+) BLACK - ENGINE GROUND WHITE - IGNITION SWITCH 12V+ ORANGE - DIMMER / +12V TO DIMMER CONNECT TO HEADLIGHT TO ACTIVATE</p> <p>BACK VIEW</p>	<p>2</p> 	<p>3</p>  <p>5/16"</p>	<p>4</p>  <p>+</p> <p>-</p>
<p>5</p> <p>EXHAUST GAS TEMP SENSOR</p>  <p>Exhaust pipe</p> <p>1/8 PT Thread</p> <p>1/2"</p>	<p>6</p>  <p>Exhaust Manifold</p> <p>Drill a hole On either position And installing the 1/8PT thread jointer</p>	<p>7</p>  <p>CONNECTOR FOR SENSOR WIRE</p> <p>SENSOR WIRE</p> <p>YELLOW CONNECTOR</p> <p>EXHAUST GAS TEMP SENSOR</p>	<p>8</p>  <p>+</p> <p>-</p>