

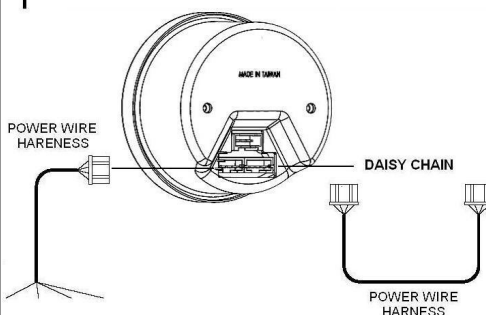
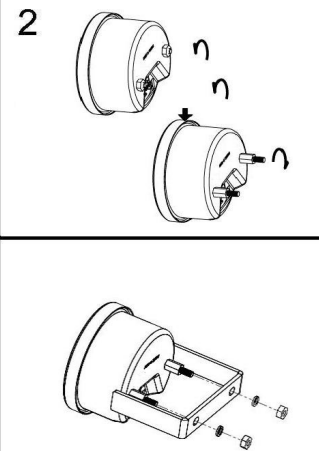
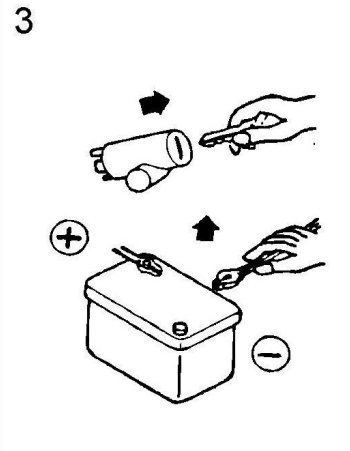
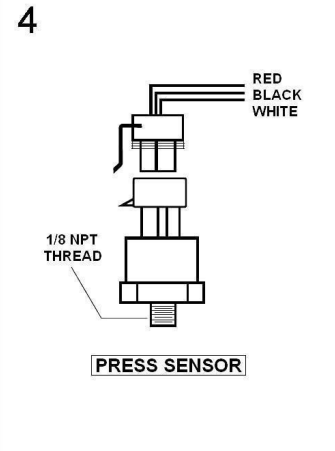
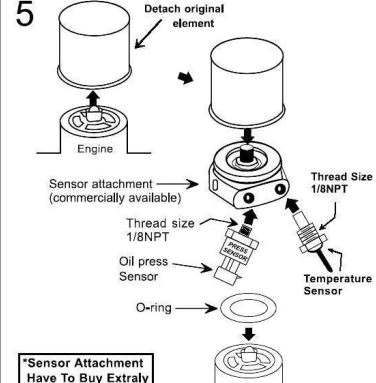
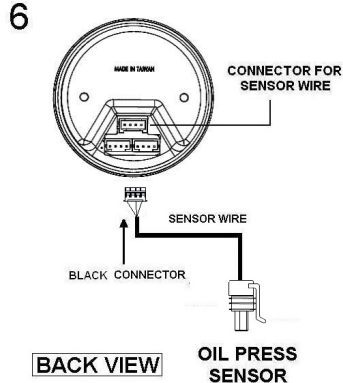
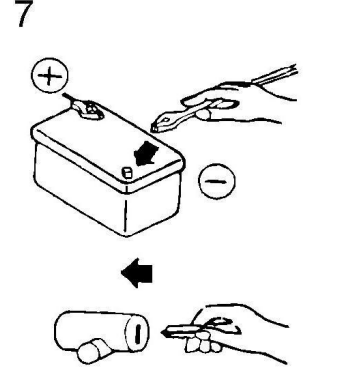
INSTALLATION INSTRUCTIONS

ELECTRICAL GAUGES W/ OUTER 30 LED

52mm DIGITAL OLED DISPLAY SERIES

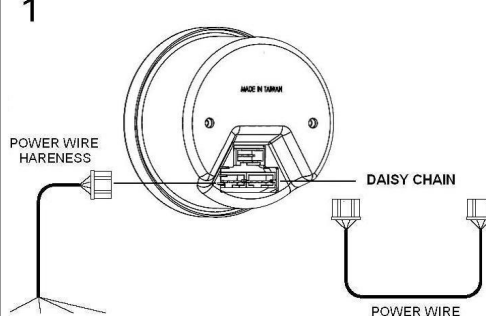
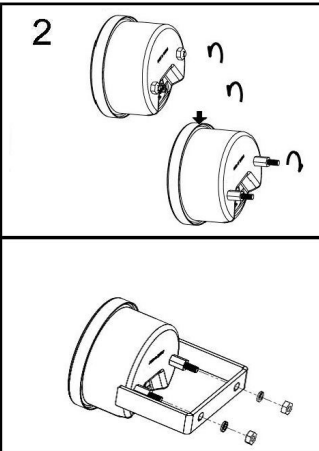
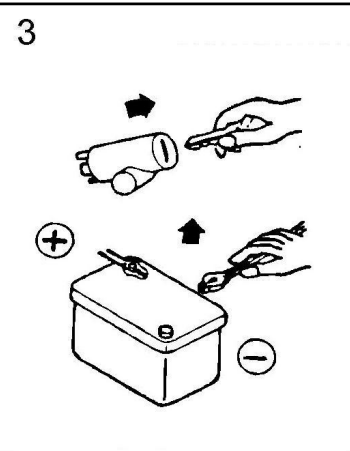
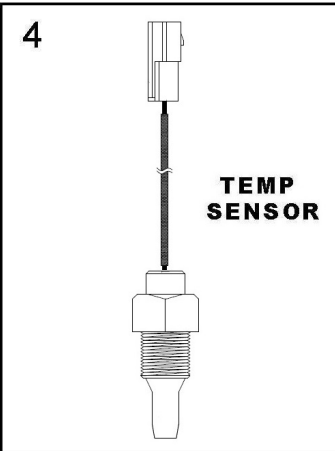
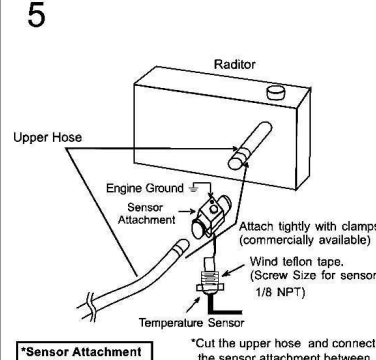
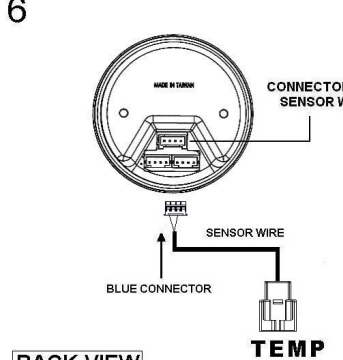
Oil Pressure Gauge

DIGITAL OIL PRESS GAUGE DISPLAY RANGE:
0 ~ 150 PSI OR 0 ~ 10 BAR

<p>1</p>  <p>POWER WIRE HARNESS</p> <p>DAISY CHAIN</p> <p>POWER WIRE HARNESS (EITHER SIDE IS OK)</p> <p>RED - BATTERY (+). BLACK - ENGINE GROUND. WHITE - IGNITION SWITCH 12V+ ORANGE - DIMMER / +12V TO DIMMER CONNECT TO HEADLIGHT TO ACTIVATE.</p> <p>BACK VIEW</p>	<p>2</p> 	<p>3</p> 	<p>4</p>  <p>RED BLACK WHITE</p> <p>1/8 NPT THREAD</p> <p>PRESS SENSOR</p>
<p>5</p>  <p>Detach original element</p> <p>Engine</p> <p>Sensor attachment (commercially available)</p> <p>Thread size 1/8NPT</p> <p>Oil press Sensor</p> <p>O-ring</p> <p>Engine</p> <p>*Sensor Attachment Have To Buy Extraly</p>	<p>6</p>  <p>CONNECTOR FOR SENSOR WIRE</p> <p>SENSOR WIRE</p> <p>BLACK CONNECTOR</p> <p>OIL PRESS SENSOR</p> <p>BACK VIEW</p>	<p>7</p> 	

Oil / Water Temperature Gauge

DIGITAL TEMP GAUGE DISPLAY RANGE :
100 ~ 300 °F OR 20 ~ 150 °C

<p>1</p>  <p>POWER WIRE HARNESS</p> <p>DAISY CHAIN</p> <p>POWER WIRE HARNESS (EITHER SIDE IS OK)</p> <p>RED - BATTERY (+). BLACK - ENGINE GROUND. WHITE - IGNITION SWITCH 12V+ ORANGE - DIMMER / +12V TO DIMMER CONNECT TO HEADLIGHT TO ACTIVATE.</p> <p>BACK VIEW</p>	<p>2</p> 	<p>3</p> 	<p>4</p>  <p>TEMP SENSOR</p>
<p>5</p>  <p>Radiator</p> <p>Upper Hose</p> <p>Engine Ground</p> <p>Sensor Attachment</p> <p>Attach tightly with clamps, (commercially available)</p> <p>Wind lefton tape. (Screw Size for sensor 1/8 NPT)</p> <p>Temperature Sensor</p> <p>*Sensor Attachment Have To Buy Extraly</p> <p>*Cut the upper hose and connect the sensor attachment between hoses.</p>	<p>6</p>  <p>CONNECTOR FOR SENSOR WIRE</p> <p>SENSOR WIRE</p> <p>BLUE CONNECTOR</p> <p>TEMP SENSOR</p> <p>BACK VIEW</p>	<p>7</p> 